

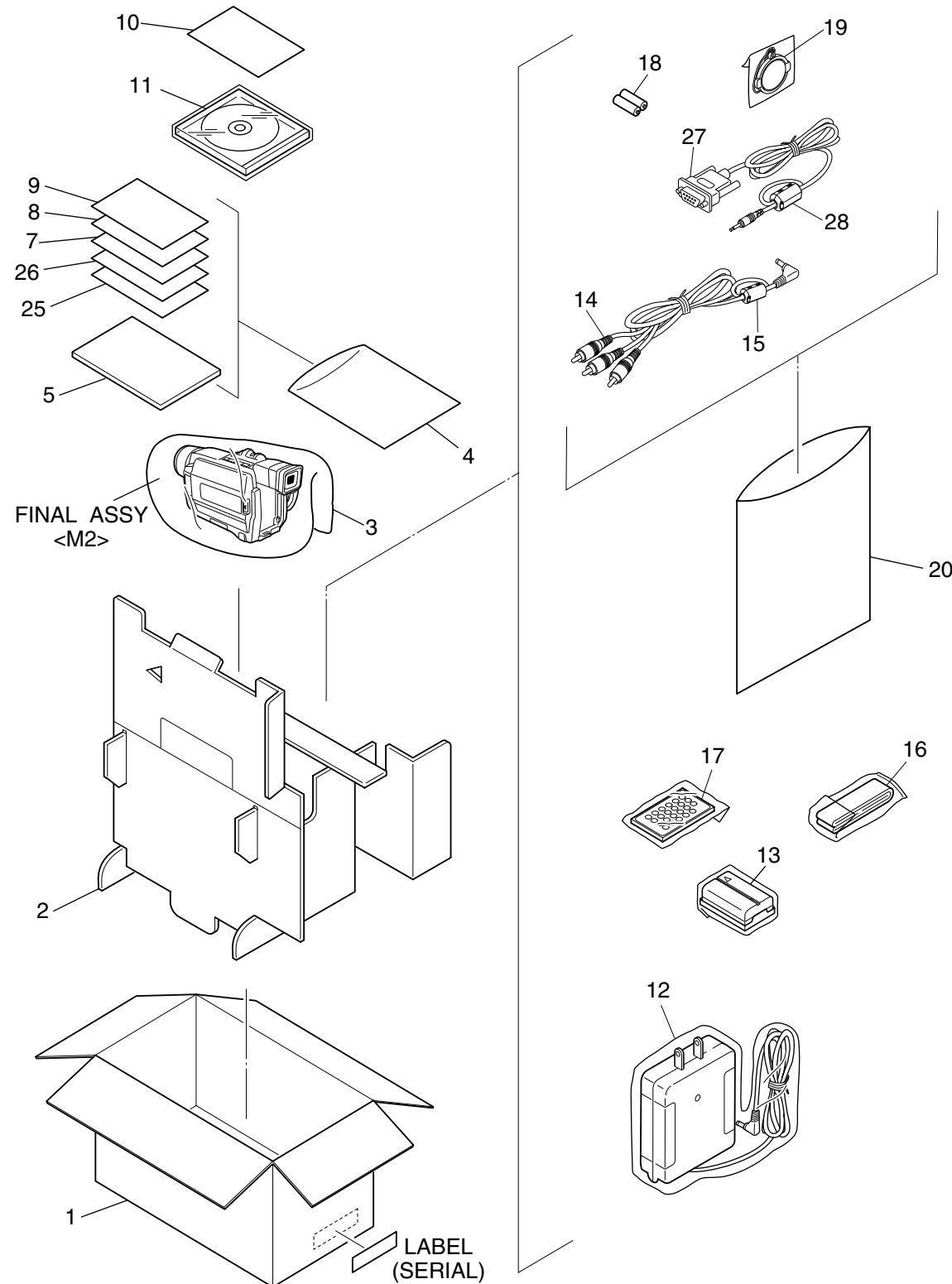
## SECTION 5 PARTS LIST

### SAFETY PRECAUTION

Parts identified by the  $\triangle$  symbol are critical for safety. Replace only with specified part numbers.

#### 5.1 PACKING AND ACCESSORY ASSEMBLY <M1>

The instruction manual to be provided with this product will differ according to the destination.



#  $\triangle$  REF No. PART No. PART NAME, DESCRIPTION  
\*\*\*\*\*

#### PACKING AND ACCESSORY ASSEMBLY <M1>

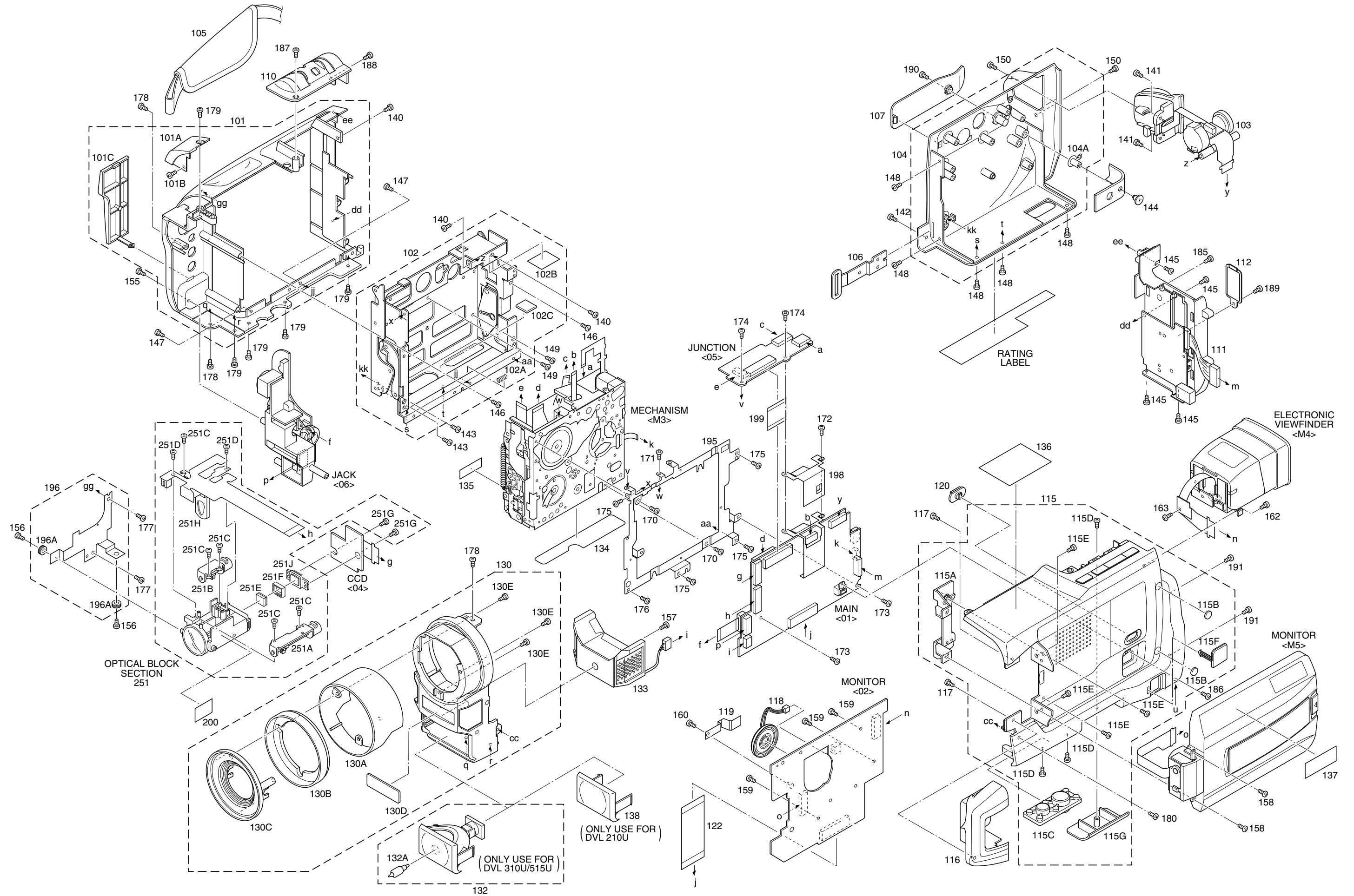
1	LY30023-008A	POLY BAG
2	LY32095-001A	PACKING CASE,C
	LY32095-003A	PACKING CASE,A
	LY32095-007A	PACKING CASE,B
3	LY32096-001A	CUSHION
4	QPA02003006	POLY BAG
$\triangle$ 5	LYT0724-001A	INST.BOOK(EN),A
$\triangle$	LYT0724-002A	INST.BOOK(FR),A
$\triangle$	LYT0724-003A	INST.BOOK(SP),A
$\triangle$	LYT0711-001A	INST.BOOK(EN),C
$\triangle$	LYT0711-002A	INST.BOOK(FR),C
$\triangle$	LYT0711-003A	INST.BOOK(SP),C
$\triangle$	LYT0722-001A	INST.BOOK(EN),B
$\triangle$	LYT0722-002A	INST.BOOK(FR),B
$\triangle$	LYT0722-003A	INST.BOOK(SP),B
7	LYT0378-003A	SHEET(AGREMENT),B,C
8	YU10350	Q.CARD(JCA)
9	BT-51005-4	WARRANTY INF.
10	BT-51020-2	REGIST.CARD
11	LY32210-002A	CD ROM,B,C
$\triangle$ 12	LY20739-001A	AC ADAPTER,AP-V10U
$\triangle$ 13	LY31587-001A	BATTERY PACK,BN-V408U
14	QAM0211-001	CABLE ASSY,AUDIO/VIDEO CABLE
15	QQR0918-002	CORE FILTER
16	LY20186-001A	SHOULDER STRAP
17	LY42129-001A	REMOTE CONTROL UNIT,RM-V715U
18	—	BATTERY,AAA(R03),X2
19	LY42182-001A	LENS CAP
20	QPGA017-03005	POLY BAG
$\triangle$ 25	LYT0531-001A	INST.BOOK(SOFT.SETUP),B,C
$\triangle$ 26	LYT0531-002B	INST.BOOK(SOFT.OPE.EN),B,C
27	QAM0084-001	PC CABLE,B,C
28	QQR0491-002	CORE FILTER,B,C

#### • INSTRUCTIONS

EN ..... ENGLISH  
FR ..... FRENCH  
SP ..... SPANISH

MODEL	MARK
GR-DVL210U	A
GR-DVL310U	B
GR-DVL515U	C

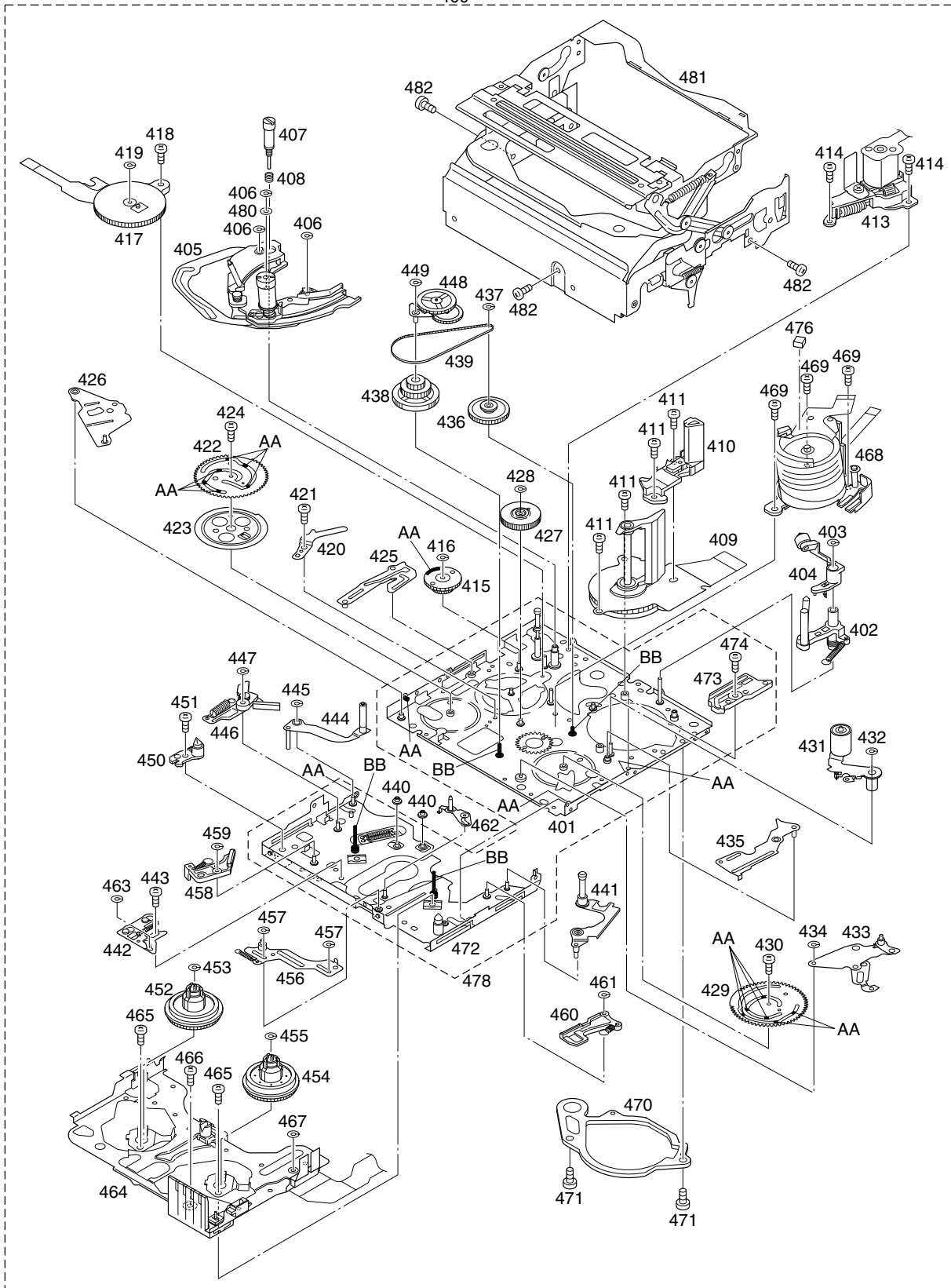
5.2 FINAL ASSEMBLY <M2>



#	△	REF No.	PART No.	PART NAME, DESCRIPTION	#	△	REF No.	PART No.	PART NAME, DESCRIPTION	
*****										
<b>FINAL ASSEMBLY &lt;M2&gt;</b>										
			101	LY20706-001B LY20706-001C				146 147	LY30018-084A LY30018-038A	SPECIAL SCREW,X2 SPECIAL SCREW,X2
			101A	LY32098-001A				148	LY30018-038A	SPECIAL SCREW,X5
			101B	LY30018-063A				149	LY30018-084A	SPECIAL SCREW,X2
			101C	LY32099-001B LY32099-001C				150	LY30018-084A	SPECIAL SCREW,X2
			102	LY20697-001A LY20697-001B				155	LY30018-084A	SPECIAL SCREW
			102A	LY30001-023A				156	LY30019-029B	SPECIAL SCREW,X2
			102B	LY30029-0C7A				157	LY30018-023A	SPECIAL SCREW
			102C	LY30029-0E9A				158	LY30018-090A	SPECIAL SCREW,X2
			103	LY20693-001A				159	LY30018-023A	SPECIAL SCREW,X3
			104	LY20704-001A				160	LY30018-006B	SPECIAL SCREW
			104A	LY40592-001A				162	LY30018-063A	SPECIAL SCREW
			105	LY20575-004B				163	LY30018-064A	SPECIAL SCREW
			106	LY42891-001A				170	LY30019-026A	SPECIAL SCREW,X2
			107	LY32092-002A LY32092-007A LY32092-008A				171	YQ43893-4	MINI SCREW
			110	LY32093-001A				172	YQ43893-4	MINI SCREW
			111	LY20725-001A				173	LY30019-033A	SPECIAL SCREW,X2
			112	LY41691-001A				174	QYSPSPT1730Z	SCREW,X2
			115	LY20707-001B LY20707-002B LY20717-001B				175	LY30018-066A	SPECIAL SCREW,X4
			115A	LY32101-001A				176	LY30018-084A	SPECIAL SCREW
			115B	LY40664-001A				177	LY30018-084A	SPECIAL SCREW,X2
			115C	LY31019-001A				178	LY30018-084A	SPECIAL SCREW,X3
			115D	LY30018-084A				179	LY30018-084A	SPECIAL SCREW,X5
			115E	LY30018-0A8A				180	LY30018-092A	SPECIAL SCREW
			115F	LY42866-001A				185	LY30018-065A	SPECIAL SCREW
			115G	LY32110-001A				186	LY30018-006B	SPECIAL SCREW
			116	LY32106-001A				187	LY30018-092A	SPECIAL SCREW
			117	LY30018-084A				188	LY30018-065A	SPECIAL SCREW
			118	QAS0048-001				189	LY30018-037A	SPECIAL SCREW
			119	LY42167-001A				190	LY30018-037A	SPECIAL SCREW
			120	LY42919-001A				191	LY30018-084A	SPECIAL SCREW,X2
			122	QUQ105-4007AA				195	LY20696-001A	BRACKET(MECHA)
△			130	LY20711-001A LY20711-002A				196	LY42846-001A	BKT(OP) ASSY
			130A	LY32111-001A				196A	LY42796-001A	BUSH,X2
			130B	LY32112-001A				198	LY32081-001A	SHIELD PLATE
			130C	LY32113-001A				199	WJT0044-001A	E-CARD WIRE,MAIN CN113-JUNC CN571
			130D	LY42953-001A				200	LY43092-001A	PLATE
			130E	LY30018-052A				<b>- OPTICAL BLOCK SECTION -</b>		
			132	LY31617-002A				251	J7A-133A	OPTICAL BLOCK ASSY
			132A	YQ44266				251A	LY30723-001B	ZOOM MOTOR
			133	LY32114-001A				251B	LY30724-001B	FOCUS MOTOR
			134	LY40698-002A				251C	LY30727-002A	SCREW,X5
			135	LY40699-002A				251D	LY30727-001A	SCREW,X2
			136	LY43093-012A				251E	LY42936-001A	OPTICAL LPF
			137	LY43094-003A				251F	LY31639-001A	SPACER RUBBER
			138	LY31660-002A				251G	QYSPSGU1750Z	SCREW,X2
			140	LY30018-084A				251H	LY32160-001A	IRIS MOTOR
			141	LY30018-096A				251J	YS40168E	CCD BASE ASSY
			142	LY30018-038A						
			143	LY30018-084A						
			144	LY30018-0D1A						
			145	LY30018-084A						

5.3 MECHANISM ASSEMBLY <M3>

400



Classification	Part No.	Symbol in drawing
Grease	KYODO-SH-P	AA
Oil	YTU94027	BB

**NOTE:**The section marked in **AA** and **BB** indicate lubrication and greasing areas.

# ▲ REF No. PART No. PART NAME, DESCRIPTION  
 \*\*\*\*\*

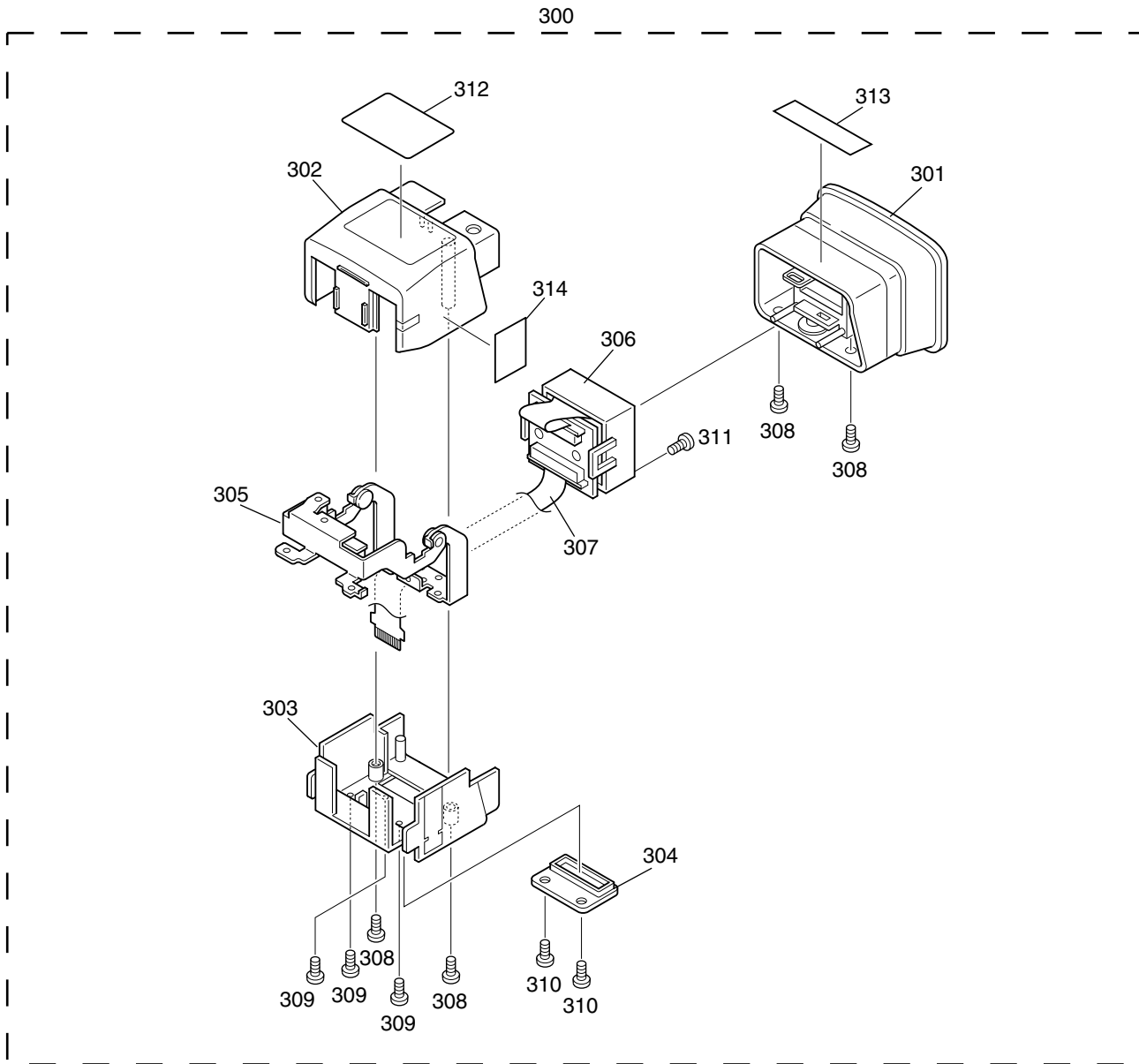
**MECHANISM ASSEMBLY <M3>**

400	YMA0025H	MECHA(A)ASSY
401	LY10077-001M	MAIN DECK ASSY
402	LY30436-001G	SLANT POLE ARM ASSY
403	YQ44246	SLIT WASHER
404	LY30438-001B	CLEANER ARM ASSY
405	LY10080-001V	RAIL ASSY
406	YQ44246	SLIT WASHER,X3
407	LY40353-001D	GUIDE ROLLER(S)ASSY
408	LY30002-006C	COMPRESSION SPRING
409	QAR0026-002	CAPSTAN MOTOR
410	LY30504-001C	CATCHER(T)ASSY
411	YQ43893	MINI SCREW,X4
413	LY30448-001G	MOTOR BKT ASSY
414	YQ43893	MINI SCREW,X2
415	LY30449-001C	WORM WHEEL
416	YQ44246	SLIT WASHER
417	LY40496-001C	ROTARY ENCODER
418	YQ43893	MINI SCREW
419	YQ44246	SLIT WASHER
420	LY40614-001B	GEAR HOLDER
421	YQ43893-6	MINI SCREW
422	LY30450-001C	MAIN CAM
423	LY30840-001A	BRAKE CTL PLATE
424	YQ43893	MINI SCREW
425	LY40373-001C	TC LEVER ASSY
426	LY30452-001G	SLIDE LEVER ASSY
427	LY30454-001A	CONNECT GEAR
428	YQ44246	SLIT WASHER
429	LY30455-001B	SUB CAM
430	YQ43893	MINI SCREW
431	LY30456-001F	PINCHROLLER ARM ASSY
432	YQ44246	SLIT WASHER
433	LY30459-001A	CHARGE ARM ASSY
434	YQ44246	SLIT WASHER
435	LY40387-001D	BC LEVER ASSY
436	LY40389-001D	REEL DRIVE PULLEY ASSY
437	YQ44246-2	SLIT WASHER
438	LY40391-002A	CENTER GEAR ASSY
439	LY40396-001A	TIMING BELT
440	LY40413-001A	COLLAR,X2
441	LY30468-001E	GUIDE ARM ASSY
442	LY30618-001C	SLIDE GUIDE PLATE ASSY
443	YQ43893-2	MINI SCREW
444	LY40420-001J	TENSION ARM ASSY
445	YQ44246	SLIT WASHER
446	LY30471-001D	PAD ARM ASSY
447	YQ44246	SLIT WASHER
448	LY40432-001H	IDLER ARM ASSY
449	YQ44246-2	SLIT WASHER
450	LY30476-001A	GUIDE PIN(S)
451	YQ43893	MINI SCREW
452	LY40441-001B	REEL DISK(SUPPLY)ASSY
453	YQ44246	SLIT WASHER
454	LY40443-001B	REEL DISK(TAKE-UP)ASSY
455	YQ44246	SLIT WASHER
456	LY30477-001F	CTL PLATE ASSY
457	YQ44246	SLIT WASHER,X2
458	LY40444-001E	LOADING BRAKE ASSY
459	YQ44246	SLIT WASHER

# ▲ REF No. PART No. PART NAME, DESCRIPTION  
 -----

460	LY40452-001C	SUB BRAKE ASSY
461	YQ44246	SLIT WASHER
462	LY30479-001E	RELEASE GUIDE ASSY
463	YQ44246	SLIT WASHER
464	LY20146-001H	REEL COVER ASSY
465	YQ43893-4	MINI SCREW,X2
466	YQ43893	MINI SCREW
467	YQ44246	SLIT WASHER
468	YDV2086K	DRUM ASSY
469	YQ43893	MINI SCREW,X3
470	LY20138-001D	PWB HOLDER
471	YQ43893	MINI SCREW,X2
472	LY10082-001L	SLIDE DECK ASSY
473	LY30462-001B	LOADING GUIDE
474	YQ43893	MINI SCREW
476	LY30016-0M1A	SPACER-A
478	LY30496-001W	DECK ASSY
480	LY41573-001A	WASHER
481	LY30483-001Q	CASSETTE HOUSING ASSY
482	YQ43893-4	MINI SCREW,X3

5.4 ELECTRONIC VIEWFINDER ASSEMBLY <M4> [GR-DVL515U]



# Δ REF No. PART No. PART NAME, DESCRIPTION  
 \*\*\*\*\*

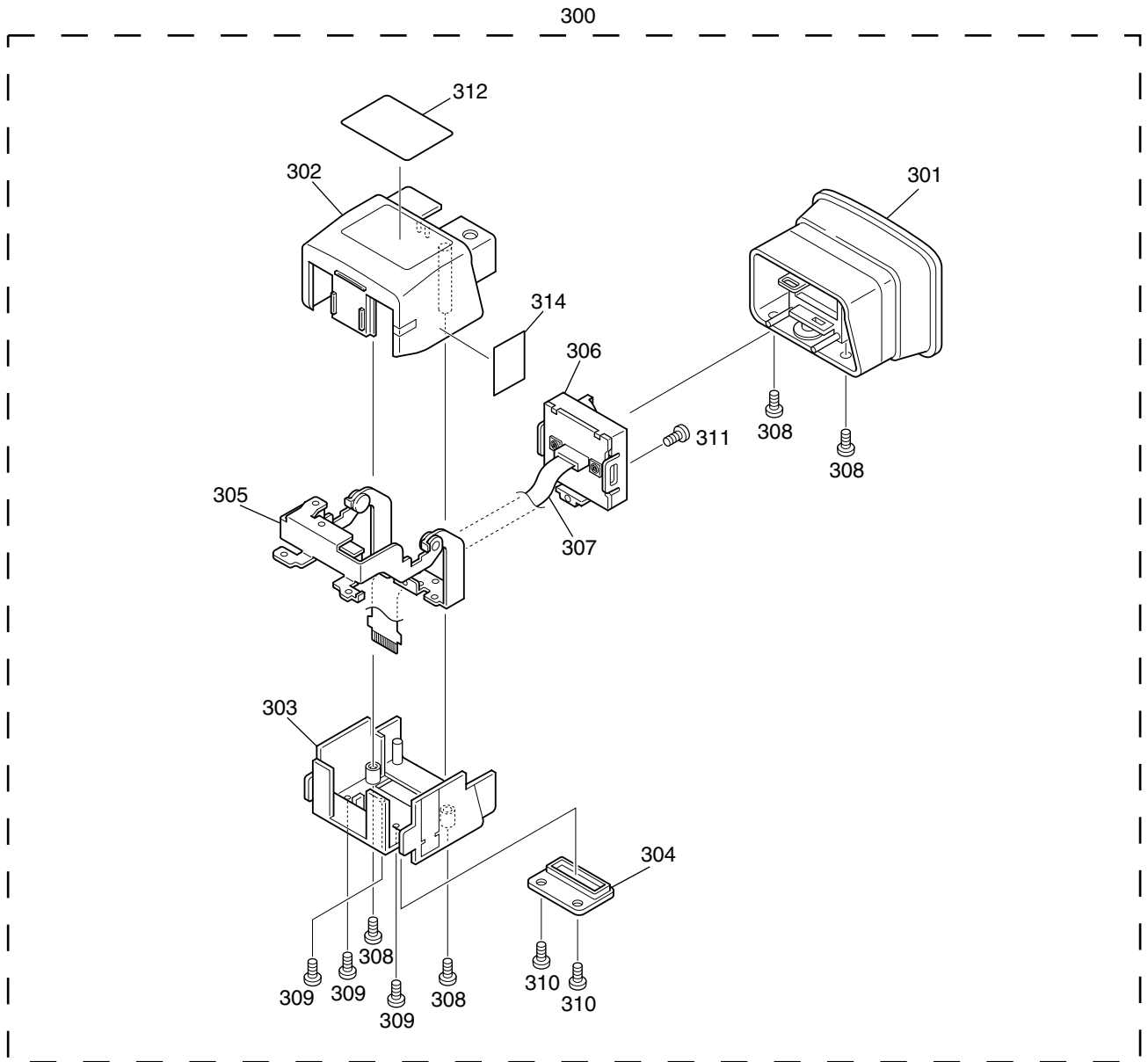
**ELECTRONIC VIEWFINDER ASSEMBLY <M4>**

300	LY20712-001B	VF ASSY
301	PTY20712-001	EYE PIECE ASSY
302	PTY20712-011	TOP CASE SUB ASSY
303	PTY20712-021	BOTTOM CASE
304	PTY20712-022	CAP(VF)
305	PTY20712-031	HINGE ASSY

# Δ REF No. PART No. PART NAME, DESCRIPTION  
 \*\*\*\*\*

306	PTY20712-041	LCD ASSY
307	QAL0287-001	FPC
308	LY30018-063A	SPECIAL SCREW,X4
309	LY30018-055A	SPECIAL SCREW,X3
310	LY30018-035A	SPECIAL SCREW,X2
311	PTY20712-051	SCREW
312	LY41701-002A	SHEET(CAUTION)1
313	LY40074-001A	LABEL COLOR
314	LY43041-002A	LABEL(VF)

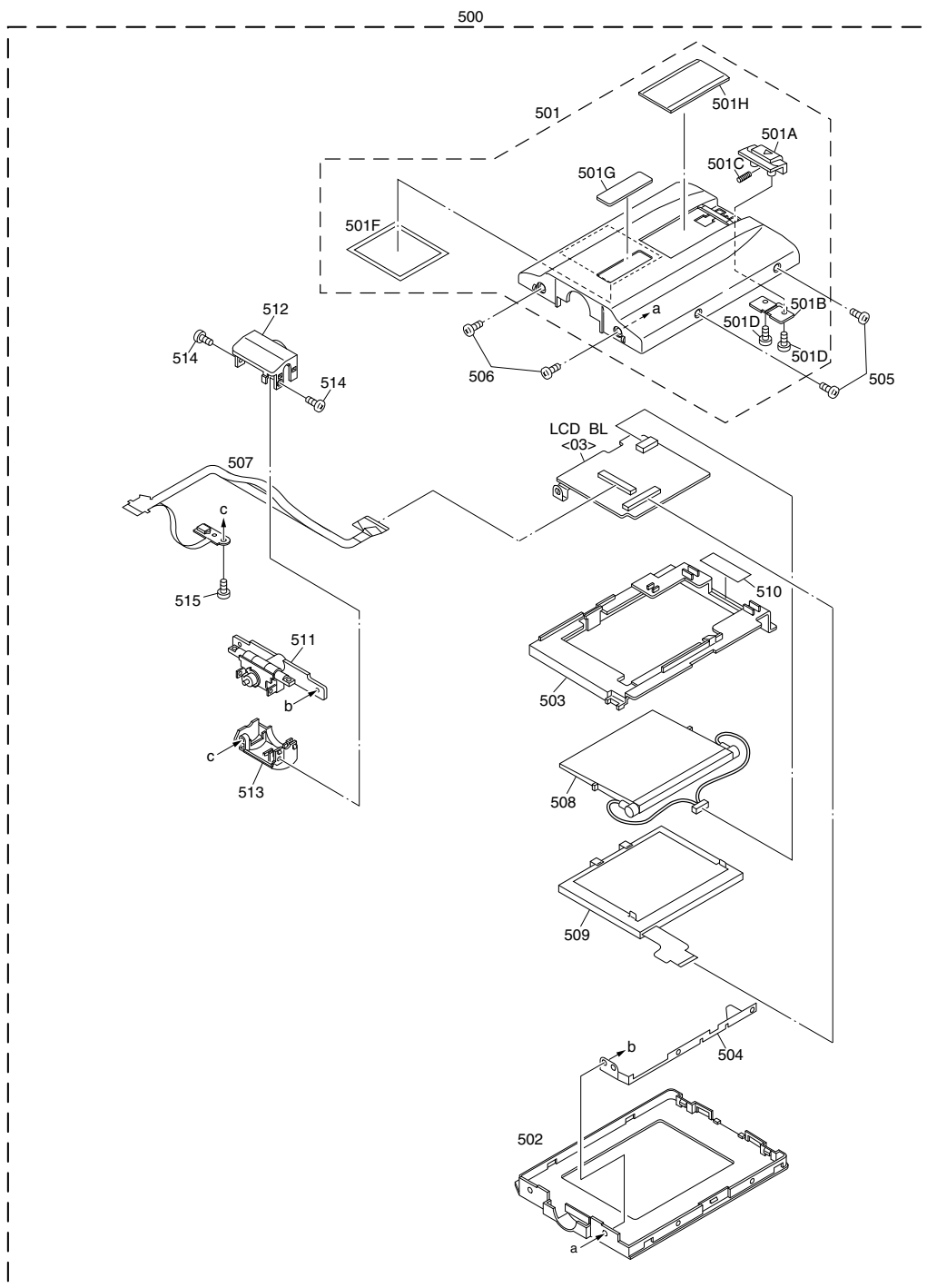
5.4 ELECTRONIC VIEWFINDER ASSEMBLY <M4> [GR-DVL210U/310U]



#	△	REF No.	PART No.	PART NAME, DESCRIPTION
*****				
<b>ELECTRONIC VIEWFINDER ASSEMBLY &lt;M4&gt;</b>				
300		LY20744-001A		VF UNIT,C
		LY20744-001B		VF UNIT,B
301		PTY20744-001		EYE PIECE ASSY
302		PTY20712-011		TOP CASE SUB ASSY
303		PTY20712-021		BOTTOM CASE
304		PTY20712-022		CAP(VF)

#	△	REF No.	PART No.	PART NAME, DESCRIPTION
305		PTY20712-031		HINGE ASSY
306		PTY20744-041		LCD ASSY
307		QAL0288-001		FPC
308		LY30018-063A		SPECIAL SCREW,X4
309		LY30018-055A		SPECIAL SCREW,X3
310		LY30018-035A		SPECIAL SCREW,X2
311		PTY20744-051		SCREW
312		LY41701-002A		SHEET(CAUTION)1
314		LY43041-002A		LABEL(VF)

5.5 MONITOR ASSEMBLY <M5> [GR-DVL210U/310U]



# △ REF No. PART No. PART NAME, DESCRIPTION  
 \*\*\*\*\*

**MONITOR ASSEMBLY <M5>**

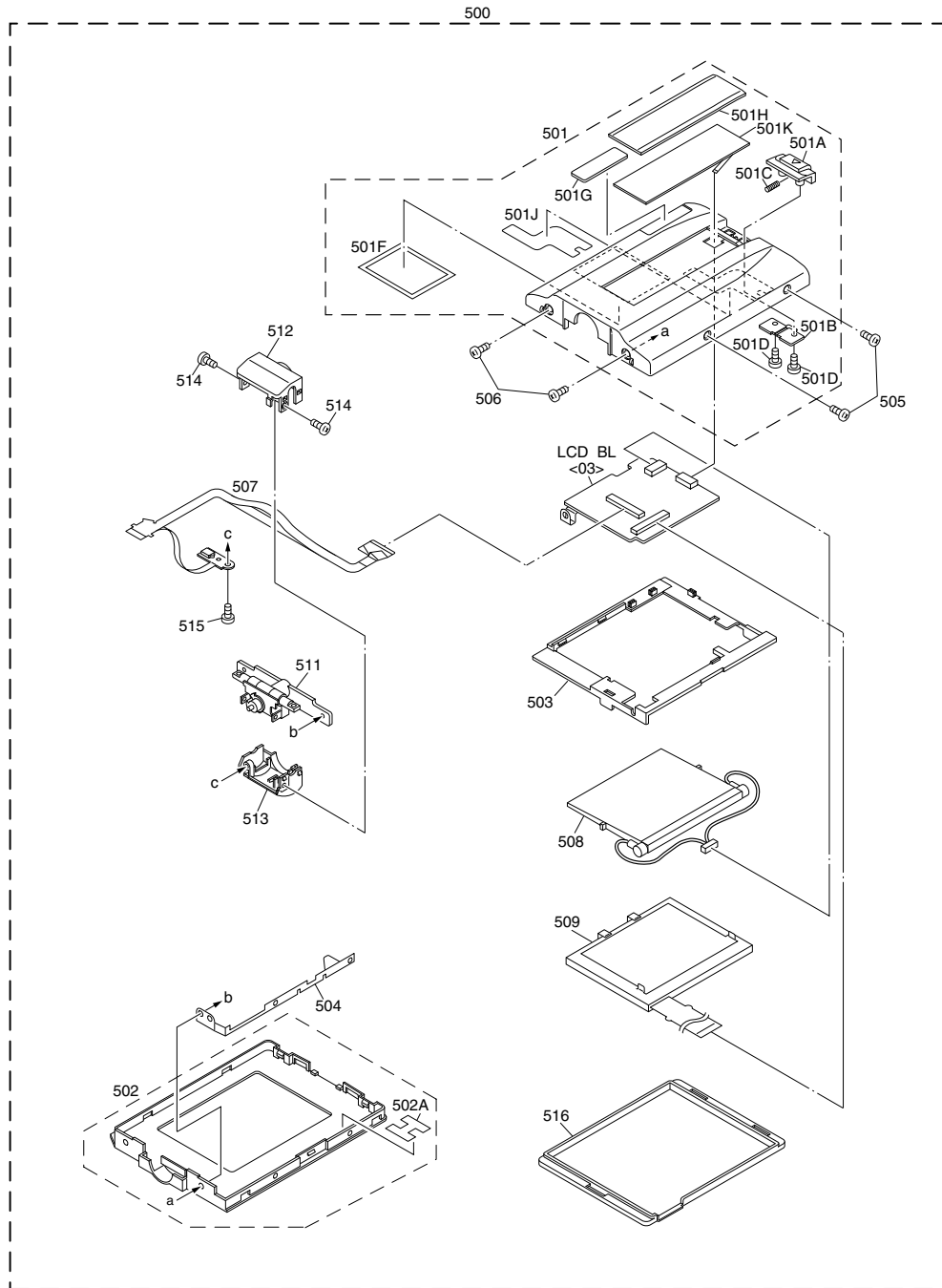
#	△ REF No.	PART No.	PART NAME, DESCRIPTION
△	500	LYH20246-007A	MONITOR ASSY,B
		LYH20246-007B	MONITOR ASSY,A
△	501	LY20702-001B	MONITOR COVER(2.5)ASSY
	501A	LY31620-001A	KNOB(LOCK 1)
	501B	LY42180-001A	KNOB(LOCK 2)
	501C	LY30002-044A	COMPRESSION SPRING
	501D	LY30018-084A	SPECIAL SCREW,X2
	501F	LY40559-001A	SHIELD SHEET
	501G	LY42883-001A	MARK
	501H	LY32087-001B	WINDOW

# △ REF No. PART No. PART NAME, DESCRIPTION

502	LY10264-001A	MONITOR CASE(2.5)
503	LY20674-001A	HOLDER(2.45)
504	LY31622-001A	BRACKET(EARTH)
505	QYSPSPT1730R	SCREW,X2
506	QYSLSP2040D	SCREW,X2
507	LY31743-001A	MONITOR FPC ASSY
508	QLL0093-001	BACK LIGHT
509	QLD0154-001	LCD MODULE
510	LY30029-063A	SPACER(A)
511	LY32079-001A	HINGE ASSY
512	LY32088-001A	HINGE COVER(1)
513	LY32089-001A	HINGE COVER(2)
514	LY30018-058A	SPECIAL SCREW,X2
515	LY30018-023A	SPECIAL SCREW



5.5 MONITOR ASSEMBLY <M5> [GR-DVL515U]



# ▲ REF No. PART No. PART NAME, DESCRIPTION  
 \*\*\*\*\*

**MONITOR ASSEMBLY <M5>**

# ▲	REF No.	PART No.	PART NAME, DESCRIPTION
△	500	LYH20246-003A	MONITOR ASSY
△	501	LY20721-001B	MONITOR COVER(3.5)ASSY
	501A	LY31620-001A	KNOB(LOCK 1)
	501B	LY42180-001A	KNOB(LOCK 2)
	501C	LY30002-044A	COMPRESSION SPRING
	501D	LY30018-084A	SPECIAL SCREW,X2
	501F	LY40559-001A	SHIELD SHEET
	501G	LY42883-001A	MARK
	501H	LY32121-001B	MODEL
	501J	LY42386-001A	EARTH MON
	501K	LY42193-001A	EL(WINDOW)

# ▲ REF No. PART No. PART NAME, DESCRIPTION

502	LY20598-001A	MONITOR CASE ASSY
502A	LY42388-001A	EARTH MON(2)
503	LY20567-001A	HOLDER(3PWB)
504	LY31622-001A	BRACKET(EARTH)
505	QYSPST1730R	SCREW,X2
506	QYSLSP2040D	SCREW,X2
507	LY31743-001A	MONITOR FPC ASSY
508	QLL0094-001	BACK LIGHT
509	QLD0118-001	LCD MODULE
511	LY32079-001A	HINGE ASSY
512	LY32088-001A	HINGE COVER(1)
513	LY32089-001A	HINGE COVER(2)
514	LY30018-058A	SPECIAL SCREW,X2
515	LY30018-023A	SPECIAL SCREW
516	LY20566-001B	HOLDER(3LCD)

5.6 ELECTRICAL PARTS LIST

MODEL	MARK
GR-DVL210U	A
GR-DVL310U	B
GR-DVL515U	C

#	△ REF No.	PART No.	PART NAME, DESCRIPTION
*****			
<b>MAIN BOARD ASSEMBLY &lt;01&gt;</b>			
PW		YB10313A-02	MAIN BOARD ASSY,B
		YB10313A-04	MAIN BOARD ASSY,C
		YB10313B-02	MAIN BOARD ASSY,A
IC1001		UPD703039F1-A01	IC
		or UPD70F3040F1A01	IC
IC1002		RS5C314	IC
IC1003		AT25160N-10SC-X	IC
		or X25170S8I-2.5-X	IC
		or 25LC160-I/SN-X	IC
IC1004		TC7S56FU	IC
IC1005		TC7S00FU	IC
		or SN74AHC1G00K	IC
IC1006		MB90097PFV139	IC(MICRO C ROM)
IC1007		TC74VHC08FT	IC(DIGITAL)
		or SN74LV08APW	IC
IC1009		IC-PST9323U-X	IC
IC1301		SN74LV08APW	IC
		or TC74VHC08FT	IC(DIGITAL)
IC1302		MAX3221CAE	IC
IC1303		TC7S32FU	IC(DIGITAL)
		or SN74AHC1G32K	IC
IC1304		TC7S02FU	IC(DIGITAL)
		or SN74AHC1G02K	IC
IC1401		YQ44880A	CSP IC ASSY
IC1402		TC7W66FK	IC
IC1403		SN74AHC2G53T	IC
IC1404		TC7W14FU	IC(DIGITAL)
		or SN74AHC2G14T	IC
IC1601		BD6630KV	IC
IC2001		AK4560AVQ	IC
IC3001		JCY0133	IC
IC3002		JCY0136	IC
IC3003		TLC2940IPW	IC
IC3004		SN74AHC1G04K	IC
IC3006		JCY0164	IC
IC3007		SN74AHC2G53T	IC
IC3501		JCY0132	IC
IC3701		BA7665FS	IC
IC4201		HD49326BF	IC
IC4202		MM1385HN	IC
IC4301		JCY0150	IC
IC4302		TMS4C2973-28-X	IC
IC4802		TA75W01FU	IC
IC4803		TA75W01FU	IC
IC4804		UPC358G2/5/-W	IC
IC4806		TC7W00FK	IC
IC4851		UPD16879GS	IC
IC5501		JCY0117	IC
IC6001		S-80842ANNP-W	IC
IC6101		FA3698F	IC
Q1001		DTC124EE	TRANSISTOR
Q1002		2SC4617/RS/-X	TRANSISTOR
Q1003		DTC143EE	TRANSISTOR
Q1004		DTA114EE	TRANSISTOR
		or PDTA114EE	TRANSISTOR
		or RN2102	TRANSISTOR
Q1005		DTC144EE	TRANSISTOR
		or PDTC144EE	TRANSISTOR
		or RN1104	TRANSISTOR

#	△ REF No.	PART No.	PART NAME, DESCRIPTION
		or UN9213J	TRANSISTOR
Q1006		DTA114EE	TRANSISTOR
		or PDTA114EE	TRANSISTOR
		or RN2102	TRANSISTOR
Q1007		DTC144EE	TRANSISTOR
		or PDTC144EE	TRANSISTOR
		or RN1104	TRANSISTOR
		or UN9213J	TRANSISTOR
Q1301		2SC4617/RS/-X	TRANSISTOR
Q1401		DTA114EE	TRANSISTOR
		or PDTA114EE	TRANSISTOR
		or RN2102	TRANSISTOR
Q1402		UMC3N	TRANSISTOR
Q1403		UMC3N	TRANSISTOR
Q1404		DTC144EE	TRANSISTOR
		or PDTC144EE	TRANSISTOR
		or RN1104	TRANSISTOR
		or UN9213J	TRANSISTOR
Q1601		UMC3N	TRANSISTOR
Q2001		UMX1N	PAIR TRANSISTOR
Q2002		2SC4617/RS/-X	TRANSISTOR
Q2004		2SC4617/RS/-X	TRANSISTOR
Q3701		UMT2N	PAIR TRANSISTOR
Q3702		UMZ1N	PAIR TRANSISTOR
Q4301		UMT2N	PAIR TRANSISTOR
Q4302		UMT2N	PAIR TRANSISTOR
Q4801		2SC4655/BC/-X	TRANSISTOR
Q4851		2SC4617/RS/-X	TRANSISTOR
Q6001		DTC144EE	TRANSISTOR
		or PDTC144EE	TRANSISTOR
		or RN1104	TRANSISTOR
		or UN9213J	TRANSISTOR
Q6002		2SK3019	MOS FET
Q6003		2SJ347	MOS FET
Q6004		2SB1121/TU/-X	TRANSISTOR
Q6101		2SK3019	MOS FET
Q6102		2SK3019	MOS FET
Q6201		NDS352AP	MOS FET
Q6202		2SA1577/RS/-X	TRANSISTOR
Q6203		SSM6J07FU	MOS FET
Q6204		CPH3304	MOS FET
Q6205		CPH3101	TRANSISTOR
Q6206		2SC4617/RS/-X	TRANSISTOR
Q6207		2SD1621/TU/-X	TRANSISTOR,B,C
Q6208		SSM6J07FU	MOS FET
Q6210		SSM6J07FU	MOS FET
Q6211		NDS352AP	MOS FET
Q6212		HN1C01FU/G/-X	PAIR TRANSISTOR
		or PUMX1	PAIR TRANSISTOR
Q6213		2SA1577/RS/-X	TRANSISTOR
Q6214		DTC144EE	TRANSISTOR
		or PDTC144EE	TRANSISTOR
		or RN1104	TRANSISTOR
		or UN9213J	TRANSISTOR
Q6215		HN1A01FU/G/-X	PAIR TRANSISTOR
		or PUMT1	PAIR TRANSISTOR
Q6216		2SC4617/RS/-X	TRANSISTOR
Q6217		UMZ1N	PAIR TRANSISTOR,B,C
Q6701		TPC6102	MOS FET
D1001		DA221	DIODE
D1302		RB501V-40-X	SB DIODE
D1602		DAP222	DIODE
D1603		DAP222	DIODE

#	△ REF No.	PART No.	PART NAME, DESCRIPTION	#	△ REF No.	PART No.	PART NAME, DESCRIPTION		
		D1604	DAP222			R1050	NRSA6AJ-223W	MG RESISTOR	22kΩ, 1/16W
		D3001	EC2C01C			R1051	NRSA6AJ-272W	MG RESISTOR	2.7kΩ, 1/16W
		D3002	EC2C01C			R1052	NRSA6AJ-183W	MG RESISTOR	18kΩ, 1/16W
		D3003	EC2C01C			R1053	NRSA6AJ-154W	MG RESISTOR	150kΩ, 1/16W
		D5501	1SS355			R1054	NRSA6AJ-473W	MG RESISTOR	47kΩ, 1/16W
△		D6002	RB715F			R1055	NRSA6AJ-103W	MG RESISTOR	10kΩ, 1/16W
		D6201	EP10LA03			R1056	NRSA6AJ-472W	MG RESISTOR	4.7kΩ, 1/16W
		D6202	EP10LA03			R1057	NRSA6AJ-473W	MG RESISTOR	47kΩ, 1/16W
		D6203	EP10LA03			R1058	NRSA6AJ-222W	MG RESISTOR	2.2kΩ, 1/16W
		D6204	EP10LA03			R1061	NRSA6AJ-104W	MG RESISTOR	100kΩ, 1/16W
		D6205	EP10LA03			R1062	NRSA6AJ-473W	MG RESISTOR	47kΩ, 1/16W
		D6206	1SS383			R1080	NRSA6AJ-104W	MG RESISTOR	100kΩ, 1/16W
		D6207	MA8091/L-X			R1302	NRSA6AJ-472W	MG RESISTOR	4.7kΩ, 1/16W
		D6701	CRS09			R1306	NRSA6AJ-472W	MG RESISTOR	4.7kΩ, 1/16W
		D6702	CRS09			R1401	NRSA6AJ-102W	MG RESISTOR	1kΩ, 1/16W
		R1001	NRSA6AJ-104W	MG RESISTOR		R1402	NRSA6AJ-222W	MG RESISTOR	2.2kΩ, 1/16W
		R1002	NRSA6AJ-224W	MG RESISTOR		R1403	NRSA6AJ-222W	MG RESISTOR	2.2kΩ, 1/16W
		R1003	NRSA6AJ-472W	MG RESISTOR		R1408	NRSA6AJ-472W	MG RESISTOR	4.7kΩ, 1/16W
		R1004	NRSA6AJ-103W	MG RESISTOR		R1409	NRSA6AJ-331W	MG RESISTOR	330Ω, 1/16W
		R1005	NRSA6AJ-153W	MG RESISTOR		R1410	NRSA6AJ-331W	MG RESISTOR	330Ω, 1/16W
		R1006	NRSA6AJ-103W	MG RESISTOR		R1411	NRSA6AJ-473W	MG RESISTOR	47kΩ, 1/16W
		R1007	NRSA6AJ-334W	MG RESISTOR		R1412	NRSA6AJ-331W	MG RESISTOR	330Ω, 1/16W
		R1008	NRSA6AJ-561W	MG RESISTOR		R1414	NRSA6AJ-331W	MG RESISTOR	330Ω, 1/16W
		R1009	NRSA6AJ-151W	MG RESISTOR		R1415	NRSA6AJ-331W	MG RESISTOR	330Ω, 1/16W
		R1010	NRSA6AJ-221W	MG RESISTOR		R1416	NRSA6AJ-331W	MG RESISTOR	330Ω, 1/16W
		R1011	NRSA6AJ-103W	MG RESISTOR		R1417	NRSA6AJ-102W	MG RESISTOR	1kΩ, 1/16W
		R1012	NRSA6AJ-102W	MG RESISTOR		R1418	NRSA6AJ-221W	MG RESISTOR	220Ω, 1/16W
		R1013	NRSA6AJ-103W	MG RESISTOR		R1419	NRSA6AJ-221W	MG RESISTOR	220Ω, 1/16W
		R1014	NRSA6AJ-103W	MG RESISTOR		R1420	NRSA6AJ-473W	MG RESISTOR	47kΩ, 1/16W
		R1015	NRSA6AJ-474W	MG RESISTOR		R1422	NRSA6AJ-332W	MG RESISTOR	3.3kΩ, 1/16W
		R1016	NRSA6AJ-474W	MG RESISTOR		R1423	NRSA6AJ-332W	MG RESISTOR	3.3kΩ, 1/16W
		R1017	NRSA6AJ-104W	MG RESISTOR		R1424	NRSA6AJ-332W	MG RESISTOR	3.3kΩ, 1/16W
		R1018	NRSA6AJ-103W	MG RESISTOR		R1425	NRVA6AD-753W	CMF RESISTOR	75kΩ, 1/16W
		R1019	NRSA6AJ-0R0W	MG RESISTOR		R1426	NRSA6AJ-334W	MG RESISTOR	330kΩ, 1/16W
		R1020	NRSA6AJ-331W	MG RESISTOR		R1427	NRSA6AJ-103W	MG RESISTOR	10kΩ, 1/16W
		R1021	NRSA6AJ-331W	MG RESISTOR		R1428	NRSA6AJ-153W	MG RESISTOR	15kΩ, 1/16W
		R1022	NRSA6AJ-331W	MG RESISTOR		R1429	NRSA6AJ-102W	MG RESISTOR	1kΩ, 1/16W
		R1023	NRSA6AJ-103W	MG RESISTOR		R1430	NRSA6AJ-102W	MG RESISTOR	1kΩ, 1/16W
		R1024	NRSA6AJ-823W	MG RESISTOR		R1432	NRSA6AJ-820W	MG RESISTOR	82Ω, 1/16W
		R1025	NRVA6AD-623W	CMF RESISTOR		R1433	NRSA6AJ-102W	MG RESISTOR	1kΩ, 1/16W
		R1026	NRSA6AJ-104W	MG RESISTOR		R1434	NRSA6AJ-683W	MG RESISTOR	68kΩ, 1/16W
		R1027	NRSA6AJ-104W	MG RESISTOR		R1435	NRSA6AJ-102W	MG RESISTOR	1kΩ, 1/16W
		R1028	NRSA6AJ-185W	MG RESISTOR		R1436	NRSA6AJ-683W	MG RESISTOR	68kΩ, 1/16W
		R1029	NRSA6AJ-473W	MG RESISTOR		R1437	NRVA6AD-103W	CMF RESISTOR	10kΩ, 1/16W
		R1030	NRSA6AJ-104W	MG RESISTOR		R1439	NRSA6AJ-332W	MG RESISTOR	3.3kΩ, 1/16W
		R1031	NRSA6AJ-102W	MG RESISTOR		R1440	NRSA6AJ-332W	MG RESISTOR	3.3kΩ, 1/16W
		R1032	NRSA6AJ-104W	MG RESISTOR		R1441	NRSA6AJ-332W	MG RESISTOR	3.3kΩ, 1/16W
		R1033	NRSA6AJ-102W	MG RESISTOR		R1442	NRSA6AJ-332W	MG RESISTOR	3.3kΩ, 1/16W
		R1034	NRSA6AJ-102W	MG RESISTOR		R1445	NRSA6AJ-101W	MG RESISTOR	100Ω, 1/16W
		R1036	NRSA6AJ-0R0W	MG RESISTOR		R1601	NRSA6AJ-681W	MG RESISTOR	680Ω, 1/16W
		R1037	NRSA6AJ-103W	MG RESISTOR		R1602	NRSA6AJ-124W	MG RESISTOR	120kΩ, 1/16W
		R1038	NRSA6AJ-0R0W	MG RESISTOR		R1603	NRSA6AJ-472W	MG RESISTOR	4.7kΩ, 1/16W
		R1039	NRSA6AJ-103W	MG RESISTOR		R1604	NRSA6AJ-104W	MG RESISTOR	100kΩ, 1/16W
		R1040	NRSA6AJ-102W	MG RESISTOR		R1605	NRV142F-R22X	CMF RESISTOR	0.22Ω, 1/4W
		R1041	NRSA6AJ-473W	MG RESISTOR		R1606	NRSA6AJ-103W	MG RESISTOR	10kΩ, 1/16W
		R1042	NRSA6AJ-473W	MG RESISTOR		R1608	NRSA02J-0R0X	MG RESISTOR	0Ω, 1/10W
		R1043	NRSA6AJ-473W	MG RESISTOR		R1609	NRV142F-R33X	CMF RESISTOR	0.33Ω, 1/4W
		R1044	NRSA6AJ-123W	MG RESISTOR		R1610	NRSA6AJ-471W	MG RESISTOR	470Ω, 1/16W
		R1045	NRSA6AJ-822W	MG RESISTOR		R1611	NRSA6AJ-471W	MG RESISTOR	470Ω, 1/16W
		R1046	NRSA6AJ-103W	MG RESISTOR		R1612	NRSA6AJ-104W	MG RESISTOR	100kΩ, 1/16W
		R1047	NRSA6AJ-473W	MG RESISTOR		R1613	NRSA6AJ-102W	MG RESISTOR	1kΩ, 1/16W
		R1048	NRSA6AJ-473W	MG RESISTOR		R1614	NRVA6AD-682W	CMF RESISTOR	6.8kΩ, 1/16W
		R1049	NRSA6AJ-393W	MG RESISTOR		R1615	NRSA6AJ-103W	MG RESISTOR	10kΩ, 1/16W

#	△ REF No.	PART No.	PART NAME, DESCRIPTION	#	△ REF No.	PART No.	PART NAME, DESCRIPTION
R1616		NRSA6AJ-391W	MG RESISTOR 390Ω,1/16W	R3009		NRSA6AJ-103W	MG RESISTOR 10kΩ,1/16W
R1617		NRSA6AJ-224W	MG RESISTOR 220kΩ,1/16W	R3010		NRSA6AJ-103W	MG RESISTOR 10kΩ,1/16W
R1618		NRSA6AJ-154W	MG RESISTOR 150kΩ,1/16W	R3011		NRSA6AJ-224W	MG RESISTOR 220kΩ,1/16W
R1619		NRSA6AJ-223W	MG RESISTOR 22kΩ,1/16W	R3013		NRSA6AJ-242W	MG RESISTOR 2.4kΩ,1/16W
R1620		NRSA6AJ-103W	MG RESISTOR 10kΩ,1/16W	R3014		NRSA6AJ-392W	MG RESISTOR 3.9kΩ,1/16W
R1621		NRSA6AJ-103W	MG RESISTOR 10kΩ,1/16W	R3015		NRSA6AJ-392W	MG RESISTOR 3.9kΩ,1/16W
R1622		NRSA6AJ-103W	MG RESISTOR 10kΩ,1/16W	R3016		NRSA6AD-560W	MG RESISTOR 56Ω,1/16W
R1624		NRVA6AD-123W	CMF RESISTOR 12kΩ,1/16W	R3017		NRSA6AD-560W	MG RESISTOR 56Ω,1/16W
R1625		NRSA6AJ-181W	MG RESISTOR 180Ω,1/16W	R3018		NRSA6AD-560W	MG RESISTOR 56Ω,1/16W
R1626		NRSA6AJ-181W	MG RESISTOR 180Ω,1/16W	R3019		NRSA6AD-560W	MG RESISTOR 56Ω,1/16W
R1628		NRVA6AD-271W	CMF RESISTOR 270Ω,1/16W	R3020		NRSA6AD-512W	MG RESISTOR 5.1kΩ,1/16W
R1629		NRSA6AJ-684W	MG RESISTOR 680kΩ,1/16W	R3027		NRSA6AJ-103W	MG RESISTOR 10kΩ,1/16W
R1630		NRSA6AJ-0R0W	MG RESISTOR 0Ω,1/16W	R3029		NRSA6AJ-103W	MG RESISTOR 10kΩ,1/16W
R1631		NRSA6AJ-0R0W	MG RESISTOR 0Ω,1/16W	R3030		NRSA6AJ-224W	MG RESISTOR 220kΩ,1/16W
R1635		NRSA6AJ-472W	MG RESISTOR 4.7kΩ,1/16W	R3031		NRSA6AJ-224W	MG RESISTOR 220kΩ,1/16W
R1636		NRSA6AJ-103W	MG RESISTOR 10kΩ,1/16W	R3033		NRSA6AJ-0R0W	MG RESISTOR 0Ω,1/16W
R1637		NRSA6AJ-154W	MG RESISTOR 150kΩ,1/16W	R3034		NRSA6AJ-222W	MG RESISTOR 2.2kΩ,1/16W
R2006		NRSA6AJ-100W	MG RESISTOR 10Ω,1/16W	R3041		NRSA6AJ-561W	MG RESISTOR 560Ω,1/16W
R2007		NRSA6AJ-102W	MG RESISTOR 1kΩ,1/16W	R3042		NRSA6AJ-561W	MG RESISTOR 560Ω,1/16W
R2008		NRSA6AJ-102W	MG RESISTOR 1kΩ,1/16W	R3043		NRSA6AJ-561W	MG RESISTOR 560Ω,1/16W
R2009		NRSA6AJ-332W	MG RESISTOR 3.3kΩ,1/16W	R3044		NRSA6AJ-392W	MG RESISTOR 3.9kΩ,1/16W
R2014		NRSA6AJ-820W	MG RESISTOR 82Ω,1/16W	R3046		NRSA6AD-222W	MG RESISTOR 2.2kΩ,1/16W
R2015		NRSA6AJ-820W	MG RESISTOR 82Ω,1/16W	R3050		NRSA6AJ-101W	MG RESISTOR 100Ω,1/16W
R2016		NRSA6AJ-820W	MG RESISTOR 82Ω,1/16W	R3052		NRSA6AJ-103W	MG RESISTOR 10kΩ,1/16W
R2017		NRSA6AJ-102W	MG RESISTOR 1kΩ,1/16W	R3053		NRSA6AJ-103W	MG RESISTOR 10kΩ,1/16W
R2018		NRSA6AJ-103W	MG RESISTOR 10kΩ,1/16W	R3054		NRSA6AJ-103W	MG RESISTOR 10kΩ,1/16W
R2019		NRSA6AJ-2R7W	MG RESISTOR 2.7Ω,1/16W	R3055		NRSA6AJ-103W	MG RESISTOR 10kΩ,1/16W
R2020		NRSA6AJ-2R7W	MG RESISTOR 2.7Ω,1/16W	R3501		NRSA6AJ-471W	MG RESISTOR 470Ω,1/16W
R2023		NRSA6AJ-102W	MG RESISTOR 1kΩ,1/16W	R3502		NRSA6AJ-104W	MG RESISTOR 100kΩ,1/16W
R2024		NRSA6AJ-183W	MG RESISTOR 18kΩ,1/16W	R3503		NRSA6AJ-102W	MG RESISTOR 1kΩ,1/16W
R2025		NRSA6AJ-104W	MG RESISTOR 100kΩ,1/16W	R3504		NRSA6AD-241W	MG RESISTOR 240Ω,1/16W
R2026		NRSA6AJ-0R0W	MG RESISTOR 0Ω,1/16W	R3505		NRSA6AD-241W	MG RESISTOR 240Ω,1/16W
R2027		NRSA6AJ-332W	MG RESISTOR 3.3kΩ,1/16W	R3506		NRSA6AD-241W	MG RESISTOR 240Ω,1/16W
R2028		NRSA6AJ-224W	MG RESISTOR 220kΩ,1/16W	R3507		NRSA6AD-241W	MG RESISTOR 240Ω,1/16W
R2029		NRSA6AJ-0R0W	MG RESISTOR 0Ω,1/16W	R3508		NRSA6AJ-223W	MG RESISTOR 22kΩ,1/16W
R2101		NRSA6AJ-182W	MG RESISTOR 1.8kΩ,1/16W	R3521		NRSA6AJ-0R0W	MG RESISTOR 0Ω,1/16W
R2102		NRSA6AJ-182W	MG RESISTOR 1.8kΩ,1/16W	R3522		NRSA6AJ-0R0W	MG RESISTOR 0Ω,1/16W
R2103		NRSA6AJ-153W	MG RESISTOR 15kΩ,1/16W	R3701		NRSA6AD-241W	MG RESISTOR 240Ω,1/16W
R2104		NRSA6AJ-153W	MG RESISTOR 15kΩ,1/16W	R3702		NRSA6AD-241W	MG RESISTOR 240Ω,1/16W
R2105		NRSA6AJ-104W	MG RESISTOR 100kΩ,1/16W	R3703		NRSA6AJ-472W	MG RESISTOR 4.7kΩ,1/16W
R2106		NRSA6AJ-104W	MG RESISTOR 100kΩ,1/16W	R3706		NRSA6AD-221W	MG RESISTOR 220Ω,1/16W
R2107		NRSA6AJ-473W	MG RESISTOR 47kΩ,1/16W	R3707		NRSA6AD-221W	MG RESISTOR 220Ω,1/16W
R2108		NRSA6AJ-473W	MG RESISTOR 47kΩ,1/16W	R3708		NRSA6AJ-472W	MG RESISTOR 4.7kΩ,1/16W
R2109		NRSA6AJ-472W	MG RESISTOR 4.7kΩ,1/16W	R3711		NRSA6AD-680W	MG RESISTOR 68Ω,1/16W
R2110		NRSA6AJ-472W	MG RESISTOR 4.7kΩ,1/16W	R3712		NRSA6AD-680W	MG RESISTOR 68Ω,1/16W
R2111		NRSA6AJ-222W	MG RESISTOR 2.2kΩ,1/16W	R3713		NRSA6AD-680W	MG RESISTOR 68Ω,1/16W
R2112		NRSA6AJ-222W	MG RESISTOR 2.2kΩ,1/16W	R3714		NRSA6AJ-123W	MG RESISTOR 12kΩ,1/16W
R2113		NRSA6AJ-153W	MG RESISTOR 15kΩ,1/16W	R3715		NRSA6AJ-103W	MG RESISTOR 10kΩ,1/16W
R2114		NRSA6AJ-153W	MG RESISTOR 15kΩ,1/16W	R3717		NRSA6AJ-561W	MG RESISTOR 560Ω,1/16W
R2117		NRSA6AJ-472W	MG RESISTOR 4.7kΩ,1/16W	R3718		NRSA6AJ-561W	MG RESISTOR 560Ω,1/16W
R2118		NRSA6AJ-472W	MG RESISTOR 4.7kΩ,1/16W	R3719		NRSA6AJ-103W	MG RESISTOR 10kΩ,1/16W
R2119		NRSA6AJ-153W	MG RESISTOR 15kΩ,1/16W	R3723		NRSA6AJ-472W	MG RESISTOR 4.7kΩ,1/16W
R2120		NRSA6AJ-153W	MG RESISTOR 15kΩ,1/16W	R3724		NRSA6AJ-392W	MG RESISTOR 3.9kΩ,1/16W
R2127		NRSA6AJ-472W	MG RESISTOR 4.7kΩ,1/16W	R4202		NRSA6AJ-0R0W	MG RESISTOR 0Ω,1/16W
R2128		NRSA6AJ-472W	MG RESISTOR 4.7kΩ,1/16W	R4203		NRSA6AJ-0R0W	MG RESISTOR 0Ω,1/16W
R2129		NRSA6AJ-332W	MG RESISTOR 3.3kΩ,1/16W	R4204		NRSA6AJ-220W	MG RESISTOR 22Ω,1/16W
R2130		NRSA6AJ-332W	MG RESISTOR 3.3kΩ,1/16W	R4205		NRSA6AJ-243W	MG RESISTOR 24kΩ,1/16W
R2201		NRSA6AJ-182W	MG RESISTOR 1.8kΩ,1/16W	R4206		NRSA6AJ-102W	MG RESISTOR 1kΩ,1/16W
R2202		NRSA6AJ-182W	MG RESISTOR 1.8kΩ,1/16W	R4207		NRSA6AJ-102W	MG RESISTOR 1kΩ,1/16W
R3002		NRSA6AJ-103W	MG RESISTOR 10kΩ,1/16W	R4208		NRSA6AJ-102W	MG RESISTOR 1kΩ,1/16W
R3004		NRSA6AJ-103W	MG RESISTOR 10kΩ,1/16W	R4301		NRSA6AJ-101W	MG RESISTOR 100Ω,1/16W
R3007		NRSA6AJ-562W	MG RESISTOR 5.6kΩ,1/16W	R4303		NRSA6AJ-0R0W	MG RESISTOR 0Ω,1/16W
R3008		NRSA6AJ-222W	MG RESISTOR 2.2kΩ,1/16W	R4305		NRSA6AJ-0R0W	MG RESISTOR 0Ω,1/16W

#	△ REF No.	PART No.	PART NAME, DESCRIPTION		#	△ REF No.	PART No.	PART NAME, DESCRIPTION	
R4307		NRSA6AD-333W	MG RESISTOR	33kΩ, 1/16W	R4864		NRSA6AJ-102W	MG RESISTOR	1kΩ, 1/16W
R4308		NRSA6AD-682W	MG RESISTOR	6.8kΩ, 1/16W	R4865		NRSA6AJ-102W	MG RESISTOR	1kΩ, 1/16W
R4309		NRSA6AJ-0R0W	MG RESISTOR	0Ω, 1/16W	R4866		NRSA6AJ-102W	MG RESISTOR	1kΩ, 1/16W
R4311		NRSA6AD-272W	MG RESISTOR	2.7kΩ, 1/16W	R4867		NRSA6AJ-102W	MG RESISTOR	1kΩ, 1/16W
R4312		NRSA6AD-272W	MG RESISTOR	2.7kΩ, 1/16W	R4868		NRSA6AJ-0R0W	MG RESISTOR	0Ω, 1/16W
R4313		NRSA6AD-272W	MG RESISTOR	2.7kΩ, 1/16W	R4870		NRVA6AD-271W	MG RESISTOR	270Ω, 1/16W
R4314		NRSA6AD-123W	MG RESISTOR	12kΩ, 1/16W	R4871		NRSA6AJ-0R0W	MG RESISTOR	0Ω, 1/16W
R4315		NRSA6AD-103W	MG RESISTOR	10kΩ, 1/16W	R4874		NRSA6AJ-0R0W	MG RESISTOR	0Ω, 1/16W
R4316		NRSA6AD-111W	MG RESISTOR	110Ω, 1/16W	R5501		NRSA6AJ-0R0W	MG RESISTOR	0Ω, 1/16W
R4317		NRSA6AJ-0R0W	MG RESISTOR	0Ω, 1/16W	R5503		NRSA6AJ-0R0W	MG RESISTOR	0Ω, 1/16W
R4318		NRSA6AJ-152W	MG RESISTOR	1.5kΩ, 1/16W	R5504		NRSA6AJ-0R0W	MG RESISTOR	0Ω, 1/16W
R4319		NRSA6AD-111W	MG RESISTOR	110Ω, 1/16W	R5505		NRSA6AJ-0R0W	MG RESISTOR	0Ω, 1/16W
R4320		NRSA6AJ-0R0W	MG RESISTOR	0Ω, 1/16W	R5506		NRSA6AJ-0R0W	MG RESISTOR	0Ω, 1/16W
R4321		NRSA6AJ-152W	MG RESISTOR	1.5kΩ, 1/16W	R5507		NRSA6AJ-0R0W	MG RESISTOR	0Ω, 1/16W
R4322		NRSA6AD-111W	MG RESISTOR	110Ω, 1/16W	R5509		NRSA6AJ-470W	MG RESISTOR	47Ω, 1/16W
R4323		NRSA6AD-101W	MG RESISTOR	100Ω, 1/16W	R5510		NRSA6AJ-470W	MG RESISTOR	47Ω, 1/16W
R4324		NRSA6AJ-152W	MG RESISTOR	1.5kΩ, 1/16W	R5511		NRSA6AJ-470W	MG RESISTOR	47Ω, 1/16W
R4326		NRSA6AJ-0R0W	MG RESISTOR	0Ω, 1/16W	R5512		NRSA6AJ-102W	MG RESISTOR	1kΩ, 1/16W
R4327		NRSA6AJ-152W	MG RESISTOR	1.5kΩ, 1/16W	R5513		NRSA6AJ-102W	MG RESISTOR	1kΩ, 1/16W
R4328		NRSA6AJ-0R0W	MG RESISTOR	0Ω, 1/16W	R5514		NRSA6AJ-102W	MG RESISTOR	1kΩ, 1/16W
R4329		NRSA6AJ-0R0W	MG RESISTOR	0Ω, 1/16W	R6001		NRSA6AJ-104W	MG RESISTOR	100kΩ, 1/16W
R4333		NRSA6AJ-0R0W	MG RESISTOR	0Ω, 1/16W	R6002		NRSA6AJ-104W	MG RESISTOR	100kΩ, 1/16W
R4336		NRSA6AJ-0R0W	MG RESISTOR	0Ω, 1/16W	R6003		NRSA6AJ-224W	MG RESISTOR	220kΩ, 1/16W
R4337		NRSA6AJ-0R0W	MG RESISTOR	0Ω, 1/16W	R6004		NRSA6AJ-183W	MG RESISTOR	18kΩ, 1/16W
R4338		NRSA6AJ-220W	MG RESISTOR	22Ω, 1/16W	R6005		NRSA6AJ-104W	MG RESISTOR	100kΩ, 1/16W
R4339		NRSA6AJ-0R0W	MG RESISTOR	0Ω, 1/16W	△ R6009		NRSA63J-102X	MG RESISTOR	1kΩ, 1/16W
R4340		NRSA6AJ-0R0W	MG RESISTOR	0Ω, 1/16W	R6010		NRSA6AJ-473W	MG RESISTOR	47kΩ, 1/16W
R4341		NRSA6AJ-0R0W	MG RESISTOR	0Ω, 1/16W	R6011		NRSA6AJ-102W	MG RESISTOR	1kΩ, 1/16W
R4343		NRSA6AJ-0R0W	MG RESISTOR	0Ω, 1/16W	R6012		NRVA6AD-104W	CMF RESISTOR	100kΩ, 1/16W
R4344		NRSA6AJ-0R0W	MG RESISTOR	0Ω, 1/16W	R6013		NRVA6AD-683W	CMF RESISTOR	68kΩ, 1/16W
R4346		NRSA63J-0R0X	MG RESISTOR	0Ω, 1/16W	R6015		NRVA6AD-104W	CMF RESISTOR	100kΩ, 1/16W
R4347		NRSA6AJ-223W	MG RESISTOR	22kΩ, 1/16W	R6016		NRVA6AD-333W	CMF RESISTOR	33kΩ, 1/16W
R4348		NRSA6AJ-223W	MG RESISTOR	22kΩ, 1/16W	R6101		NRVA6AD-103W	CMF RESISTOR	10kΩ, 1/16W
R4349		NRSA6AJ-223W	MG RESISTOR	22kΩ, 1/16W	R6102		NRVA6AD-751W	CMF RESISTOR	750Ω, 1/16W
R4350		NRSA6AJ-223W	MG RESISTOR	22kΩ, 1/16W	R6103		NRVA6AD-333W	CMF RESISTOR	33kΩ, 1/16W
R4351		NRSA6AJ-223W	MG RESISTOR	22kΩ, 1/16W	R6104		NRSA6AJ-104W	MG RESISTOR	100kΩ, 1/16W
R4804		NRSA6AJ-331W	MG RESISTOR	330Ω, 1/16W	R6105		NRVA6AD-123W	CMF RESISTOR	12kΩ, 1/16W
R4805		NRSA6AJ-103W	MG RESISTOR	10kΩ, 1/16W	R6106		NRSA6AJ-333W	MG RESISTOR	33kΩ, 1/16W
R4806		NRSA6AJ-683W	MG RESISTOR	68kΩ, 1/16W	R6107		NRVA6AD-562W	CMF RESISTOR	5.6kΩ, 1/16W
R4807		NRSA6AJ-823W	MG RESISTOR	82kΩ, 1/16W	R6108		NRSA6AJ-223W	MG RESISTOR	22kΩ, 1/16W
R4808		NRSA6AJ-243W	MG RESISTOR	24kΩ, 1/16W	R6110		NRSA6AJ-0R0W	MG RESISTOR	0Ω, 1/16W
R4809		NRSA6AJ-681W	MG RESISTOR	680Ω, 1/16W	R6113		NRSA6AJ-472W	MG RESISTOR	4.7kΩ, 1/16W
R4810		NRSA6AJ-103W	MG RESISTOR	10kΩ, 1/16W	R6114		NRSA6AJ-823W	MG RESISTOR	82kΩ, 1/16W
R4811		NRSA6AJ-824W	MG RESISTOR	820kΩ, 1/16W	R6115		NRSA6AJ-823W	MG RESISTOR	82kΩ, 1/16W
R4812		NRSA6AJ-153W	MG RESISTOR	15kΩ, 1/16W	R6116		NRVA6AD-153W	CMF RESISTOR	15kΩ, 1/16W
R4814		NRSA6AJ-105W	MG RESISTOR	1MΩ, 1/16W	R6117		NRSA6AJ-0R0W	MG RESISTOR	0Ω, 1/16W
R4815		NRSA6AJ-472W	MG RESISTOR	4.7kΩ, 1/16W	R6118		NRSA6AJ-102W	MG RESISTOR	1kΩ, 1/16W
R4816		NRSA6AJ-105W	MG RESISTOR	1MΩ, 1/16W	R6122		NRSA6AJ-104W	MG RESISTOR	100kΩ, 1/16W
R4817		NRSA6AJ-334W	MG RESISTOR	330kΩ, 1/16W	R6124		NRSA6AJ-102W	MG RESISTOR,A,C	1kΩ, 1/16W
R4818		NRSA6AJ-154W	MG RESISTOR	150kΩ, 1/16W	R6201		NRVA6AD-243W	CMF RESISTOR	24kΩ, 1/16W
R4819		NRSA6AJ-103W	MG RESISTOR	10kΩ, 1/16W	R6203		NRVA6AD-123W	CMF RESISTOR	12kΩ, 1/16W
R4820		NRSA6AJ-104W	MG RESISTOR	100kΩ, 1/16W	R6204		NRSA6AJ-473W	MG RESISTOR	47kΩ, 1/16W
R4821		NRSA6AJ-104W	MG RESISTOR	100kΩ, 1/16W	R6205		NRSA6AJ-102W	MG RESISTOR	1kΩ, 1/16W
R4822		NRSA6AJ-333W	MG RESISTOR	33kΩ, 1/16W	R6206		NRVA6AD-183W	CMF RESISTOR	18kΩ, 1/16W
R4823		NRSA6AJ-102W	MG RESISTOR	1kΩ, 1/16W	R6207		NRVA6AD-123W	CMF RESISTOR	12kΩ, 1/16W
R4824		NRSA6AJ-472W	MG RESISTOR	4.7kΩ, 1/16W	R6208		NRVA6AD-123W	CMF RESISTOR	12kΩ, 1/16W
R4833		NRSA6AJ-104W	MG RESISTOR	100kΩ, 1/16W	R6209		NRVA6AD-153W	CMF RESISTOR	15kΩ, 1/16W
R4836		NRSA6AJ-102W	MG RESISTOR	1kΩ, 1/16W	R6210		NRVA6AD-183W	CMF RESISTOR	18kΩ, 1/16W
R4856		NRSA63J-6R8X	MG RESISTOR	6.8Ω, 1/16W	R6212		NRVA6AD-472W	CMF RESISTOR	4.7kΩ, 1/16W
R4857		NRSA63J-6R8X	MG RESISTOR	6.8Ω, 1/16W	R6213		NRSA6AJ-103W	MG RESISTOR	10kΩ, 1/16W
R4858		NRSA6AJ-333W	MG RESISTOR	33kΩ, 1/16W	R6214		NRSA6AJ-152W	MG RESISTOR	1.5kΩ, 1/16W
R4862		NRSA63J-6R8X	MG RESISTOR	6.8Ω, 1/16W	R6215		NRSA6AJ-473W	MG RESISTOR	47kΩ, 1/16W
R4863		NRSA63J-6R8X	MG RESISTOR	6.8Ω, 1/16W	R6217		NRSA6AJ-151W	MG RESISTOR,B,C	150Ω, 1/16W

#	△ REF No.	PART No.	PART NAME, DESCRIPTION	#	△ REF No.	PART No.	PART NAME, DESCRIPTION	
R6218		NRSA6AJ-104W	MG RESISTOR,B,C	100kΩ,1/16W	C1013	NCBA1CK-103W	CAPACITOR	0.01μF,16V
R6219		NRVA6AD-243W	CMF RESISTOR	24kΩ,1/16W	C1014	NCBA1CK-103W	CAPACITOR	0.01μF,16V
R6220		NRVA6AD-302W	CMF RESISTOR	3kΩ,1/16W	C1015	NCBA1CK-103W	CAPACITOR	0.01μF,16V
R6221		NRVA6AD-104W	CMF RESISTOR	100kΩ,1/16W	C1016	NCBA1CK-103W	CAPACITOR	0.01μF,16V
R6223		NRVA6AD-123W	CMF RESISTOR	12kΩ,1/16W	C1017	NCBA1CK-103W	CAPACITOR	0.01μF,16V
R6224		NRVA6AD-473W	CMF RESISTOR	47kΩ,1/16W	C1018	NCBA1CK-103W	CAPACITOR	0.01μF,16V
R6225		NRVA6AD-562W	CMF RESISTOR	5.6kΩ,1/16W	C1019	NCBA1CK-103W	CAPACITOR	0.01μF,16V
R6226		NRVA6AD-223W	CMF RESISTOR	22kΩ,1/16W	C1023	NCFA1AZ-104W	CAPACITOR	0.1μF,10V
R6227		NRVA6AD-473W	CMF RESISTOR	47kΩ,1/16W	C1024	NDCA1HJ-100W	CAPACITOR	10pF,50V
R6228		NRVA6AD-473W	CMF RESISTOR	47kΩ,1/16W	C1025	NDCA1HJ-100W	CAPACITOR	10pF,50V
R6229		NRVA6AD-332W	CMF RESISTOR	3.3kΩ,1/16W	C1026	NCFA1AZ-104W	CAPACITOR	0.1μF,10V
R6230		NRSA6AJ-272W	MG RESISTOR	2.7kΩ,1/16W	C1027	NCBA1CK-103W	CAPACITOR	0.01μF,16V
R6231		NRVA6AD-104W	CMF RESISTOR	100kΩ,1/16W	C1028	NCBA1CK-103W	CAPACITOR	0.01μF,16V
R6232		NRVA6AD-473W	CMF RESISTOR	47kΩ,1/16W	C1029	NCBA1CK-103W	CAPACITOR	0.01μF,16V
R6233		NRSA6AJ-822W	MG RESISTOR	8.2kΩ,1/16W	C1030	NCBA1CK-103W	CAPACITOR	0.01μF,16V
R6234		NRSA6AJ-273W	MG RESISTOR	27kΩ,1/16W	C1031	NCB30JK-105X	CAPACITOR	1μF,6.3V
R6235		NRVA6AD-683W	CMF RESISTOR	68kΩ,1/16W	C1036	NCFA1AZ-104W	CAPACITOR	0.1μF,10V
R6236		NRVA6AD-473W	CMF RESISTOR	47kΩ,1/16W	C1039	NCFA1AZ-104W	CAPACITOR	0.1μF,10V
R6237		NRVA6AD-753W	CMF RESISTOR	75kΩ,1/16W	C1301	NCBA1AK-104W	CAPACITOR	0.1μF,10V
R6238		NRVA6AD-104W	CMF RESISTOR	100kΩ,1/16W	C1302	NCBA1AK-104W	CAPACITOR	0.1μF,10V
R6239		NRSA6AJ-103W	MG RESISTOR	10kΩ,1/16W	C1303	NCBA1AK-104W	CAPACITOR	0.1μF,10V
R6240		NRSA6AJ-333W	MG RESISTOR	33kΩ,1/16W	C1304	NCBA1AK-104W	CAPACITOR	0.1μF,10V
R6241		NRSA6AJ-102W	MG RESISTOR	1kΩ,1/16W	C1305	NCBA1AK-104W	CAPACITOR	0.1μF,10V
R6242		NRSA6AJ-104W	MG RESISTOR,B,C	100kΩ,1/16W	C1306	NCBA1AK-104W	CAPACITOR	0.1μF,10V
R6243		NRSA6AJ-823W	MG RESISTOR,B,C	82kΩ,1/16W	C1307	NCBA1AK-104W	CAPACITOR	0.1μF,10V
R6244		NRSA6AJ-152W	MG RESISTOR,B,C	1.5kΩ,1/16W	C1401	NBE20JM-106X	T CAPACITOR	10μF,6.3V
R6245		NRSA6AJ-562W	MG RESISTOR,B,C	5.6kΩ,1/16W	C1402	NBE20JM-106X	T CAPACITOR	10μF,6.3V
R6246		NRSA6AJ-222W	MG RESISTOR,B,C	2.2kΩ,1/16W	C1405	NCFA1AZ-104W	CAPACITOR	0.1μF,10V
R6701		NRZ0058-R20X	MG RESISTOR	0.2Ω	C1406	NCFA1AZ-104W	CAPACITOR	0.1μF,10V
R6702		NRVA6AD-104W	CMF RESISTOR	100kΩ,1/16W	C1408	NCFA1AZ-104W	CAPACITOR	0.1μF,10V
R6703		NRVA6AD-123W	CMF RESISTOR	12kΩ,1/16W	C1409	NCFA1AZ-104W	CAPACITOR	0.1μF,10V
R6712		NRVA6AD-823W	CMF RESISTOR	82kΩ,1/16W	C1410	NCFA1AZ-104W	CAPACITOR	0.1μF,10V
R6713		NRVA6AD-333W	CMF RESISTOR	33kΩ,1/16W	C1411	NCFA1AZ-104W	CAPACITOR	0.1μF,10V
RA1001		NRZ0034-102W	NETWORK RESISTOR	1kΩ	C1412	NCFA1AZ-104W	CAPACITOR	0.1μF,10V
RA1002		NRZ0034-102W	NETWORK RESISTOR	1kΩ	C1413	NCFA1AZ-104W	CAPACITOR	0.1μF,10V
RA1003		NRZ0034-102W	NETWORK RESISTOR	1kΩ	C1414	NCBA1CK-103W	CAPACITOR	0.01μF,16V
RA1004		NRZ0034-102W	NETWORK RESISTOR	1kΩ	C1415	NCBA1CK-103W	CAPACITOR	0.01μF,16V
RA1005		NRZ0034-102W	NETWORK RESISTOR	1kΩ	C1416	NCBA1CK-103W	CAPACITOR	0.01μF,16V
RA1006		NRZ0034-102W	NETWORK RESISTOR	1kΩ	C1417	NCBA1CK-223W	CAPACITOR	0.022μF,16V
RA1007		NRZ0034-102W	NETWORK RESISTOR	1kΩ	C1418	NCBA1CK-223W	CAPACITOR	0.022μF,16V
RA1008		NRZ0034-104W	NETWORK RESISTOR	100kΩ	C1419	NCBA1CK-223W	CAPACITOR	0.022μF,16V
RA1009		NRZ0034-104W	NETWORK RESISTOR	100kΩ	C1420	NCBA1CK-223W	CAPACITOR	0.022μF,16V
RA1010		NRZ0034-104W	NETWORK RESISTOR	100kΩ	C1601	NCBA1CK-103W	CAPACITOR	0.01μF,16V
RA1401		NRZ0034-473W	NETWORK RESISTOR	47kΩ	C1602	NBE21AM-106X	T CAPACITOR	10μF,10V
RA1402		NRZ0034-102W	NETWORK RESISTOR	1kΩ	C1603	NBE21AM-106X	T CAPACITOR	10μF,10V
RA1403		NRZ0034-102W	NETWORK RESISTOR	1kΩ	C1605	NCBA1AK-104W	CAPACITOR	0.1μF,10V
RA3001		NRZ0034-100W	NETWORK RESISTOR	10Ω	C1606	NCB31HK-152X	CAPACITOR	0.0015μF,50V
RA3002		NRZ0034-100W	NETWORK RESISTOR	10Ω	C1607	NCBA1AK-473W	CAPACITOR	0.047μF,10V
RA4301		NRZ0034-101W	NETWORK RESISTOR	100Ω	C1614	NBE21AM-106X	T CAPACITOR	10μF,10V
RA4302		NRZ0034-101W	NETWORK RESISTOR	100Ω	C1618	NCBA1HK-222W	CAPACITOR	0.0022μF,50V
RA4303		NRZ0034-101W	NETWORK RESISTOR	100Ω	C1619	NCBA1HK-222W	CAPACITOR	0.0022μF,50V
C1001		NBE20JM-226X	T CAPACITOR	22μF,6.3V	C1620	NCBA1HK-222W	CAPACITOR	0.0022μF,50V
C1002		NCFA1AZ-104W	CAPACITOR	0.1μF,10V	C1621	NCB21CK-105X	CAPACITOR	1μF,16V
C1003		NBE20JM-226X	T CAPACITOR	22μF,6.3V	C1622	NCBA1CK-223W	CAPACITOR	0.022μF,16V
C1004		NCFA1AZ-104W	CAPACITOR	0.1μF,10V	C1623	NCBA1AK-473W	CAPACITOR	0.047μF,10V
C1005		NCBA1CK-103W	CAPACITOR	0.01μF,16V	C1624	NCBA1CK-103W	CAPACITOR	0.01μF,16V
C1006		NDCA1HJ-130W	CAPACITOR	13pF,50V	C1625	NCBA1AK-473W	CAPACITOR	0.047μF,10V
C1007		NCBA1CK-103W	CAPACITOR	0.01μF,16V	C1626	NCBA1HK-331W	CAPACITOR	330pF,50V
C1008		NCBA1CK-103W	CAPACITOR	0.01μF,16V	C1627	NCBA1CK-822W	CAPACITOR	0.0082μF,16V
C1009		NCBA1CK-103W	CAPACITOR	0.01μF,16V	C1628	NCB21CK-224X	CAPACITOR	0.22μF,16V
C1010		NCBA1CK-103W	CAPACITOR	0.01μF,16V	C1632	NBE21AM-106X	T CAPACITOR	10μF,10V
C1011		NCBA1CK-103W	CAPACITOR	0.01μF,16V	C1633	NCB21CK-474X	CAPACITOR	0.47μF,16V
C1012		NCBA1CK-103W	CAPACITOR	0.01μF,16V	C1635	NCBA1AK-104W	CAPACITOR	0.1μF,10V

#	△ REF No.	PART No.	PART NAME, DESCRIPTION	#	△ REF No.	PART No.	PART NAME, DESCRIPTION	
	C1641	NCB21CK-474X	CAPACITOR		C3026	NCB30JK-105X	CAPACITOR	1μF,6.3V
	C2001	NBE20JM-106X	T CAPACITOR		C3027	NCBA1EK-472W	CAPACITOR	0.0047μF,25V
	C2002	NBE20JM-106X	T CAPACITOR		C3028	NDCA1EJ-271W	CAPACITOR	270pF,25V
	C2004	NCB21CK-105X	CAPACITOR		C3029	NCBA1CK-103W	CAPACITOR	0.01μF,16V
	C2005	NCB21CK-105X	CAPACITOR		C3030	NCBA1AK-104W	CAPACITOR	0.1μF,10V
	C2006	NCBA1CK-103W	CAPACITOR		C3031	NCBA1AK-104W	CAPACITOR	0.1μF,10V
	C2007	NCBA1CK-103W	CAPACITOR		C3032	NCBA1HK-102W	CAPACITOR	0.001μF,50V
	C2008	NCB21CK-105X	CAPACITOR		C3033	NDCA1HJ-470W	CAPACITOR	47pF,50V
	C2009	NCB21CK-105X	CAPACITOR		C3034	NCBA1HK-102W	CAPACITOR	0.001μF,50V
	C2010	NCB21CK-105X	CAPACITOR		C3035	NDCA1HJ-330W	CAPACITOR	33pF,50V
	C2011	NBE20JM-106X	T CAPACITOR		C3038	NCBA1AK-104W	CAPACITOR	0.1μF,10V
	C2012	NBE20JM-106X	T CAPACITOR		C3039	NCBA1AK-104W	CAPACITOR	0.1μF,10V
	C2013	NCBA1AK-104W	CAPACITOR		C3040	NCBA1AK-104W	CAPACITOR	0.1μF,10V
	C2014	NCBA1AK-104W	CAPACITOR		C3041	NCBA1AK-104W	CAPACITOR	0.1μF,10V
	C2015	NBE20JM-106X	T CAPACITOR		C3042	NCBA1CK-103W	CAPACITOR	0.01μF,16V
	C2016	NCBA1CK-223W	CAPACITOR		C3043	NCBA1CK-103W	CAPACITOR	0.01μF,16V
	C2017	NCBA1AK-333W	CAPACITOR		C3044	NCBA1AK-104W	CAPACITOR	0.1μF,10V
	C2018	NCB31CK-104X	CAPACITOR		C3045	NCBA1AK-104W	CAPACITOR	0.1μF,10V
	C2019	NCB31CK-104X	CAPACITOR		C3046	NCBA1CK-103W	CAPACITOR	0.01μF,16V
	C2020	NCBA1AK-104W	CAPACITOR		C3047	NCBA1AK-104W	CAPACITOR	0.1μF,10V
	C2021	NCBA1AK-104W	CAPACITOR		C3051	NCBA1AK-104W	CAPACITOR	0.1μF,10V
	C2101	NCB31CK-104X	CAPACITOR		C3052	NCBA1HK-102W	CAPACITOR	0.001μF,50V
	C2102	NCB31CK-104X	CAPACITOR		C3053	NCBA1AK-473W	CAPACITOR	0.047μF,10V
	C2103	NCB21CK-105X	CAPACITOR		C3056	NCB30JK-105X	CAPACITOR	1μF,6.3V
	C2104	NCB21CK-105X	CAPACITOR		C3057	NCBA1CK-103W	CAPACITOR	0.01μF,16V
	C2109	NBE20JM-106X	T CAPACITOR		C3058	NCBA1CK-103W	CAPACITOR	0.01μF,16V
	C2110	NCB21CK-105X	CAPACITOR		C3060	NCBA1CK-103W	CAPACITOR	0.01μF,16V
	C2111	NCBA1EK-472W	CAPACITOR		C3061	NCB21CK-105X	CAPACITOR	1μF,16V
	C2112	NCBA1EK-472W	CAPACITOR		C3062	NCBA1AK-104W	CAPACITOR	0.1μF,10V
	C2113	NCBA1EK-472W	CAPACITOR		C3063	NCBA1AK-104W	CAPACITOR	0.1μF,10V
	C2114	NCBA1EK-472W	CAPACITOR		C3064	NCBA1CK-103W	CAPACITOR	0.01μF,16V
	C2115	NCB31CK-104X	CAPACITOR		C3501	NBE20JM-106X	T CAPACITOR	10μF,6.3V
	C2116	NCB31CK-104X	CAPACITOR		C3502	NBE20JM-106X	T CAPACITOR	10μF,6.3V
	C2121	NCBA1CK-223W	CAPACITOR		C3503	NBE20JM-106X	T CAPACITOR	10μF,6.3V
	C2122	NCBA1CK-223W	CAPACITOR		C3504	NCBA1AK-473W	CAPACITOR	0.047μF,10V
	C2123	NCBA1CK-223W	CAPACITOR		C3505	NCBA1CK-223W	CAPACITOR	0.022μF,16V
	C2124	NCBA1CK-223W	CAPACITOR		C3506	NCB21CK-105X	CAPACITOR	1μF,16V
	C2125	NCBA1CK-223W	CAPACITOR		C3507	NCBA1CK-103W	CAPACITOR	0.01μF,16V
	C2126	NCBA1CK-223W	CAPACITOR		C3508	NCBA1CK-103W	CAPACITOR	0.01μF,16V
	C2131	NCBA1HK-102W	CAPACITOR		C3509	NCBA1CK-103W	CAPACITOR	0.01μF,16V
	C2132	NCBA1HK-102W	CAPACITOR		C3510	NCBA1AK-104W	CAPACITOR	0.1μF,10V
	C2133	NCBA1CK-223W	CAPACITOR		C3511	NCBA1CK-103W	CAPACITOR	0.01μF,16V
	C2134	NCBA1CK-223W	CAPACITOR		C3512	NCB31CK-104X	CAPACITOR	0.1μF,16V
	C2201	NCBA1CK-103W	CAPACITOR		C3513	NCBA1AK-104W	CAPACITOR	0.1μF,10V
	C2202	NCBA1CK-103W	CAPACITOR		C3514	NCBA1AK-473W	CAPACITOR	0.047μF,10V
	C3001	NBE20JM-106X	T CAPACITOR		C3515	NCBA1AK-473W	CAPACITOR	0.047μF,10V
	C3003	NCB21CK-105X	CAPACITOR		C3516	NCBA1AK-473W	CAPACITOR	0.047μF,10V
	C3004	NCB21CK-105X	CAPACITOR		C3517	NCBA1CK-103W	CAPACITOR	0.01μF,16V
	C3005	NBE20JM-106X	T CAPACITOR		C3518	NCBA1CK-103W	CAPACITOR	0.01μF,16V
	C3007	NCB11CK-105X	CAPACITOR		C3519	NCBA1HK-102W	CAPACITOR	0.001μF,50V
	C3008	NBE20JM-106X	T CAPACITOR		C3520	NCBA1CK-103W	CAPACITOR	0.01μF,16V
	C3011	NCBA1AK-104W	CAPACITOR		C3521	NCBA1AK-104W	CAPACITOR	0.1μF,10V
	C3012	NCBA1AK-104W	CAPACITOR		C3522	NCB20JM-475X	CAPACITOR	4.7μF,6.3V
	C3013	NCBA1CK-103W	CAPACITOR		C3523	NCBA1CK-103W	CAPACITOR	0.01μF,16V
	C3015	NCBA1CK-103W	CAPACITOR		C3524	NCBA1CK-103W	CAPACITOR	0.01μF,16V
	C3016	NCBA1AK-104W	CAPACITOR		C3525	NCB20JM-475X	CAPACITOR	4.7μF,6.3V
	C3017	NCBA1AK-104W	CAPACITOR		C3526	NCBA1CK-103W	CAPACITOR	0.01μF,16V
	C3020	NCBA1AK-104W	CAPACITOR		C3527	NDCA1EJ-221W	CAPACITOR	220pF,25V
	C3021	NCBA1AK-104W	CAPACITOR		C3701	NBE20JM-106X	T CAPACITOR	10μF,6.3V
	C3022	NCBA1AK-104W	CAPACITOR		C3702	NDCA1HJ-151W	CAPACITOR	150pF,50V
	C3023	NDCA1HJ-330W	CAPACITOR		C3703	NDCA1HJ-330W	CAPACITOR	33pF,50V
	C3024	NCBA1HK-102W	CAPACITOR		C3704	NDCA1HJ-101W	CAPACITOR	100pF,50V
	C3025	NCBA1AK-104W	CAPACITOR		C3705	NDCA1HJ-330W	CAPACITOR	33pF,50V

#	△ REF No.	PART No.	PART NAME, DESCRIPTION	#	△ REF No.	PART No.	PART NAME, DESCRIPTION	
C3706		NCBA1CK-103W	CAPACITOR	0.01μF,16V	C4344	NCBA1AK-104W	CAPACITOR	0.1μF,10V
C3707		NCFA1AZ-104W	CAPACITOR	0.1μF,10V	C4345	NCBA1AK-104W	CAPACITOR	0.1μF,10V
C3708		NCB30JK-105X	CAPACITOR	1μF,6.3V	C4346	NCBA1AK-104W	CAPACITOR	0.1μF,10V
C3709		NCBA1CK-103W	CAPACITOR	0.01μF,16V	C4347	NCBA1AK-104W	CAPACITOR	0.1μF,10V
C3710		NCBA1CK-103W	CAPACITOR	0.01μF,16V	C4348	NCBA1AK-104W	CAPACITOR	0.1μF,10V
C3711		NBE20GM-226X	T CAPACITOR	22μF,4.0V	C4349	NCBA1AK-104W	CAPACITOR	0.1μF,10V
C3712		NBE40GM-107X	T CAPACITOR	100μF,4.0V	C4350	NCBA1AK-104W	CAPACITOR	0.1μF,10V
C3713		NEA70GM-337X	E CAPACITOR	330μF,4.0V	C4803	NBE20JM-106X	T CAPACITOR	10μF,6.3V
C4201		NBE40GM-107X	T CAPACITOR	100μF,4.0V	C4804	NCFA1AZ-104W	CAPACITOR	0.1μF,10V
C4202		NCBA1AK-104W	CAPACITOR	0.1μF,10V	C4805	NCFA1AZ-104W	CAPACITOR	0.1μF,10V
C4203		NCB30JK-105X	CAPACITOR	1μF,6.3V	C4806	NCFA1AZ-104W	CAPACITOR	0.1μF,10V
C4204		NCBA1AK-104W	CAPACITOR	0.1μF,10V	C4808	NCB30JK-105X	CAPACITOR	1μF,6.3V
C4205		NCBA1AK-104W	CAPACITOR	0.1μF,10V	C4809	NCFA1AZ-104W	CAPACITOR	0.1μF,10V
C4206		NCB21CK-105X	CAPACITOR	1μF,16V	C4810	NCBA1CK-103W	CAPACITOR	0.01μF,16V
C4207		NCBA1AK-104W	CAPACITOR	0.1μF,10V	C4811	NCBA1CK-103W	CAPACITOR	0.01μF,16V
C4208		NCBA1HK-392W	CAPACITOR	0.0039μF,50V	C4812	NCFA1AZ-104W	CAPACITOR	0.1μF,10V
C4209		NCB30JK-105X	CAPACITOR	1μF,6.3V	C4813	NCFA1AZ-104W	CAPACITOR	0.1μF,10V
C4210		NCBA1AK-104W	CAPACITOR	0.1μF,10V	C4814	NCFA1AZ-104W	CAPACITOR	0.1μF,10V
C4211		NCBA1AK-104W	CAPACITOR	0.1μF,10V	C4815	NCB31HK-152X	CAPACITOR	0.0015μF,50V
C4212		NCBA1AK-104W	CAPACITOR	0.1μF,10V	C4819	NCB31CK-104X	CAPACITOR	0.1μF,16V
C4213		NCBA1AK-104W	CAPACITOR	0.1μF,10V	C4851	NBE20JM-106X	T CAPACITOR	10μF,6.3V
C4214		NCBA1AK-104W	CAPACITOR	0.1μF,10V	C4852	NCFA1AZ-104W	CAPACITOR	0.1μF,10V
C4215		NCBA1AK-104W	CAPACITOR	0.1μF,10V	C4853	NBE21AM-335X	T CAPACITOR	3.3μF,10V
C4216		NCBA1AK-104W	CAPACITOR	0.1μF,10V	C4854	NBE21AM-106X	T CAPACITOR	10μF,10V
C4301		NCBA1AK-104W	CAPACITOR	0.1μF,10V	C4855	NCB31CK-104X	CAPACITOR	0.1μF,16V
C4303		NCBA1AK-104W	CAPACITOR	0.1μF,10V	C4858	NDCA1HJ-330W	CAPACITOR	33pF,50V
C4304		NCBA1AK-104W	CAPACITOR	0.1μF,10V	C4859	NCBA1HK-102W	CAPACITOR	0.001μF,50V
C4305		NBE20JM-106X	T CAPACITOR	10μF,6.3V	C4860	NCBA1HK-102W	CAPACITOR	0.001μF,50V
C4306		NCBA1AK-104W	CAPACITOR	0.1μF,10V	C4861	NCBA1HK-102W	CAPACITOR	0.001μF,50V
C4307		NBE20JM-106X	T CAPACITOR	10μF,6.3V	C4862	NCBA1HK-102W	CAPACITOR	0.001μF,50V
C4308		NCBA1AK-104W	CAPACITOR	0.1μF,10V	C4863	NCBA1AK-104W	CAPACITOR	0.1μF,10V
C4309		NCBA1AK-104W	CAPACITOR	0.1μF,10V	C4864	NBE20JM-106X	T CAPACITOR	10μF,6.3V
C4310		NBE20JM-106X	T CAPACITOR	10μF,6.3V	C4865	NCBA1AK-104W	CAPACITOR	0.1μF,10V
C4311		NCB30JK-105X	CAPACITOR	1μF,6.3V	C5501	NCBA1AK-104W	CAPACITOR	0.1μF,10V
C4312		NCBA1AK-104W	CAPACITOR	0.1μF,10V	C5503	NCBA1AK-104W	CAPACITOR	0.1μF,10V
C4313		NBE20JM-226X	T CAPACITOR	22μF,6.3V	C5504	NCBA1AK-104W	CAPACITOR	0.1μF,10V
C4314		NCBA1AK-104W	CAPACITOR	0.1μF,10V	C5505	NCBA1AK-104W	CAPACITOR	0.1μF,10V
C4315		NBE20JM-106X	T CAPACITOR	10μF,6.3V	C5506	NBE40JM-476X	T CAPACITOR	47μF,6.3V
C4317		NCBA1AK-104W	CAPACITOR	0.1μF,10V	C5507	NCBA1AK-104W	CAPACITOR	0.1μF,10V
C4318		NCBA1AK-104W	CAPACITOR	0.1μF,10V	C5508	NCBA1AK-104W	CAPACITOR	0.1μF,10V
C4319		NCBA1AK-104W	CAPACITOR	0.1μF,10V	C5509	NCBA1AK-104W	CAPACITOR	0.1μF,10V
C4320		NCBA1AK-104W	CAPACITOR	0.1μF,10V	C5510	NBP21VM-105X	T CAPACITOR	1μF,35V
C4321		NCBA1AK-104W	CAPACITOR	0.1μF,10V	C5511	NBP21DM-475X	T CAPACITOR	4.7μF,20V
C4323		NCBA1AK-104W	CAPACITOR	0.1μF,10V	C5512	NBE21AM-106X	T CAPACITOR	10μF,10V
C4324		NBE20JM-106X	T CAPACITOR	10μF,6.3V	C5513	NCB31CK-104X	CAPACITOR	0.1μF,16V
C4325		NCBA1AK-104W	CAPACITOR	0.1μF,10V	C5514	NCBA1AK-104W	CAPACITOR	0.1μF,10V
C4327		NCBA1AK-104W	CAPACITOR	0.1μF,10V	C5515	NCBA1AK-104W	CAPACITOR	0.1μF,10V
C4328		NCBA1AK-104W	CAPACITOR	0.1μF,10V	C5516	NCBA1AK-104W	CAPACITOR	0.1μF,10V
C4329		NCBA1AK-104W	CAPACITOR	0.1μF,10V	C5517	NCB31CK-104X	CAPACITOR	0.1μF,16V
C4330		NCBA1AK-104W	CAPACITOR	0.1μF,10V	C5518	NCBA1AK-104W	CAPACITOR	0.1μF,10V
C4331		NBE20JM-106X	T CAPACITOR	10μF,6.3V	C5519	NCBA1AK-104W	CAPACITOR	0.1μF,10V
C4332		NCBA1AK-104W	CAPACITOR	0.1μF,10V	C6001	NCBA1CK-103W	CAPACITOR	0.01μF,16V
C4333		NCBA1AK-104W	CAPACITOR	0.1μF,10V	C6004	NCB21CK-105X	CAPACITOR	1μF,16V
C4334		NCBA1AK-104W	CAPACITOR	0.1μF,10V	C6005	NDCA1HJ-101W	CAPACITOR	100pF,50V
C4335		NCBA1AK-104W	CAPACITOR	0.1μF,10V	C6101	NCB21CK-105X	CAPACITOR	1μF,16V
C4336		NCBA1AK-104W	CAPACITOR	0.1μF,10V	C6102	NEA71CM-106X	E CAPACITOR	10μF,16V
C4337		NCBA1AK-104W	CAPACITOR	0.1μF,10V	C6103	NCB21CK-105X	CAPACITOR	1μF,16V
C4338		NCBA1AK-104W	CAPACITOR	0.1μF,10V	C6105	NCB21CK-105X	CAPACITOR	1μF,16V
C4339		NCBA1AK-104W	CAPACITOR	0.1μF,10V	C6106	NCB21CK-105X	CAPACITOR	1μF,16V
C4340		NCBA1AK-104W	CAPACITOR	0.1μF,10V	C6107	NCB21CK-105X	CAPACITOR	1μF,16V
C4341		NCBA1AK-104W	CAPACITOR	0.1μF,10V	C6108	NCB21CK-105X	CAPACITOR	1μF,16V
C4342		NCBA1AK-104W	CAPACITOR	0.1μF,10V	C6109	NCB21CK-105X	CAPACITOR	1μF,16V
C4343		NCBA1AK-104W	CAPACITOR	0.1μF,10V	C6110	NCBA1AK-104W	CAPACITOR	0.1μF,10V



#	△ REF No.	PART No.	PART NAME, DESCRIPTION	#	△ REF No.	PART No.	PART NAME, DESCRIPTION
C6111		NCBA1AK-104W	CAPACITOR 0.1μF,10V	L3005		NQR0129-002X	FERRITE BEAD
C6112		NCBA1AK-333W	CAPACITOR 0.033μF,10V	L3006		NQR0006-001X	FERRITE BEAD
C6113		NCBA1HK-561W	CAPACITOR 560pF,50V	L3007		NQL085J-2R2X	COIL 2.2μH
C6114		NCBA1HK-272W	CAPACITOR 0.0027μF,50V	L3008		NQL085J-120X	COIL 12μH
C6115		NCBA1HK-561W	CAPACITOR 560pF,50V	L3009		NQL085J-120X	COIL 12μH
C6116		NCBA1CK-103W	CAPACITOR 0.01μF,16V	L3010		NQR0384-003X	COIL
C6117		NCBA1AK-104W	CAPACITOR 0.1μF,10V	L3011		NQR0384-003X	COIL
C6118		NCBA1AK-104W	CAPACITOR 0.1μF,10V	L3012		NQR0006-001X	FERRITE BEAD
C6119		NDCA1HJ-101W	CAPACITOR 100pF,50V	L3013		NQR0006-001X	FERRITE BEAD
C6120		NCB11CK-105X	CAPACITOR 1μF,16V	L3501		NQR0129-002X	FERRITE BEAD
C6121		NCB31CK-104X	CAPACITOR 0.1μF,16V	L3502		NQL302N-100X	COIL 10μH
C6122		NCBA1CK-223W	CAPACITOR 0.022μF,16V	L3503		NQR0006-001X	FERRITE BEAD
C6123		NCBA1CK-103W	CAPACITOR 0.01μF,16V	L3504		NQR0006-001X	FERRITE BEAD
C6124		NCBA1CK-103W	CAPACITOR 0.01μF,16V	L3505		NQR0006-001X	FERRITE BEAD
C6125		NCBA1CK-103W	CAPACITOR 0.01μF,16V	L3701		NQL38DK-100X	COIL 10μH
C6126		NCBA1CK-103W	CAPACITOR 0.01μF,16V	L4201		NQR0129-002X	FERRITE BEAD
C6127		NCBA1HK-102W	CAPACITOR 0.001μF,50V	L4301		NQR0129-002X	FERRITE BEAD
C6128		NCB21CK-105X	CAPACITOR 1μF,16V	L4302		NQR0129-002X	FERRITE BEAD
C6129		NCBA1HK-561W	CAPACITOR 560pF,50V	L4303		NQL38DK-100X	COIL 10μH
C6131		NCBA1AK-104W	CAPACITOR 0.1μF,10V	L4304		NQL38DK-100X	COIL 10μH
C6132		NCBA1AK-104W	CAPACITOR 0.1μF,10V	L4305		NQR0129-002X	FERRITE BEAD
C6133		NCBA1AK-104W	CAPACITOR 0.1μF,10V	L4306		NQR0129-002X	FERRITE BEAD
C6201		NCB21CK-105X	CAPACITOR 1μF,16V	L4307		NQL38DK-100X	COIL 10μH
C6202		NCB10JK-106X	CAPACITOR 10μF,6.3V	L4802		NQL302N-100X	COIL 10μH
C6203		NCBA1HK-102W	CAPACITOR 0.001μF,50V	L4851		NQR0129-002X	FERRITE BEAD
C6204		NCBA1HK-561W	CAPACITOR 560pF,50V	L4852		NQL38DK-100X	COIL 10μH
C6205		NCB21CK-105X	CAPACITOR 1μF,16V	L4853		NQL38DK-100X	COIL 10μH
C6206		NCB21CK-105X	CAPACITOR 1μF,16V	L5501		NQL38DK-100X	COIL 10μH
C6207		NCB10JK-106X	CAPACITOR 10μF,6.3V	L5502		NQR0129-002X	FERRITE BEAD
C6208		NCBA1EK-472W	CAPACITOR 0.0047μF,25V	L5503		NQR0129-002X	FERRITE BEAD
C6209		NCB21CK-105X	CAPACITOR 1μF,16V	L5504		NQR0129-002X	FERRITE BEAD
C6210		NCB10JK-106X	CAPACITOR 10μF,6.3V	L5505		NQL38DK-100X	COIL 10μH
C6211		NCBA1HK-102W	CAPACITOR 0.001μF,50V	L5506		NQL38DK-100X	COIL 10μH
C6212		NCB21CK-105X	CAPACITOR 1μF,16V	L6101		NQLZ011-4R7X	COIL 4.7μH
C6213		NCB11EK-105X	CAPACITOR,B,C 1μF,25V	L6102		NQLZ011-4R7X	COIL 4.7μH
C6214		NCB21CK-105X	CAPACITOR 1μF,16V	L6201		NQLZ011-390X	COIL 39μH
C6215		NCB21CK-105X	CAPACITOR 1μF,16V	L6202		NQLZ011-390X	COIL 39μH
C6216		NCBA1AK-683W	CAPACITOR 0.068μF,10V	L6203		NQLZ011-390X	COIL 39μH
C6217		NCB21CK-105X	CAPACITOR 1μF,16V	L6204		NQL144K-220X	COIL 22μH
C6218		NCB21CK-105X	CAPACITOR 1μF,16V	L6205		NQL35BK-100X	COIL,B,C 10μH
C6219		NCB21CK-224X	CAPACITOR 0.22μF,16V	L6206		NQLZ011-470X	COIL 47μH
C6220		NCB21CK-105X	CAPACITOR 1μF,16V	L6207		NQLZ011-470X	COIL 47μH
C6221		NCB11EK-105X	CAPACITOR 1μF,25V	L6208		NQLZ011-221X	COIL 220μH
C6222		NCB11EK-105X	CAPACITOR 1μF,25V	L6209		NQL144K-221X	COIL 220μH
C6224		NCBA1HK-102W	CAPACITOR 0.001μF,50V	L6210		NQL144K-220X	COIL 22μH
C6225		NCBA1CK-103W	CAPACITOR 0.01μF,16V	L6701		NQLZ007-100X	COIL 10μH
C6226		NCB21CK-105X	CAPACITOR 1μF,16V	X1001		NAX0424-001X	C OSCILLATOR
C6227		NCB11EK-105X	CAPACITOR 1μF,25V	X1002		NAX0325-001X	CRYSTAL RESONATOR
C6228		NCB11EK-105X	CAPACITOR 1μF,25V	X5501		NAX0356-001X	CXO
C6230		NCB21CK-105X	CAPACITOR 1μF,16V	S6001		NSW0096-001X	SLIDE SWITCH,CPU ROM
C6231		NCBA1CK-103W	CAPACITOR,A,C 0.01μF,16V	WR1		WJT0045-001A	E-CARD WIRE,CN103-JACK
C6701		NCB21CK-105X	CAPACITOR 1μF,16V	WR2		WJJ0206-001A	E-SI C WIRE C-C,CN104-REAR
C6703		NCB11CK-105X	CAPACITOR 1μF,16V	J101		NNZ0041-001X	D CONNECTOR
L1001		NQL315K-100X	COIL 10μH	CN101		QGF0508F1-40X	FPC CONNECTOR
L1002		NQL315K-100X	COIL 10μH	CN102		QGA1002F1-09X	CONNECTOR
L1401		NQR0006-001X	FERRITE BEAD	CN103		QGF0505F2-14X	FPC CONNECTOR
L1402		NRSA02J-0R0X	MG RESISTOR 0Ω,1/10W	CN104		QGA1002C1-10X	CONNECTOR
L2001		NQL315K-100X	COIL 10μH	CN105		QGB0801K2-20X	CONNECTOR
L2002		NQL38DK-220X	COIL 22μH	CN106		QGA1201F2-03X	CONNECTOR
L3001		NQR0006-001X	FERRITE BEAD	CN107		QGF0507F3-20X	FFC/FPC CONNECTOR
L3002		NQR0129-002X	FERRITE BEAD	CN108		QGF0507F3-24X	FFC/FPC CONNECTOR
L3003		NQR0129-002X	FERRITE BEAD	CN109		QGF0507F3-15X	FFC/FPC CONNECTOR
L3004		NQR0006-001X	FERRITE BEAD	CN110		QGF0505F1-08X	FPC CONNECTOR

#	△ REF No.	PART No.	PART NAME, DESCRIPTION
	CN111	QGF0503C1-06V	FFC/FPC CONNECTOR
	CN112	QGF0505F2-18X	FPC CONNECTOR
	CN113	QGF0508F1-34X	FPC CONNECTOR
△	F6101	NMFZ007-2R0X-K	FUSE 2.0A
	OT1	LY43017-001A	SHIELD SHEET
	OT2	LY30029-0F4A	SPACER(A)
	SD1	LY32080-001A	SHIELD CASE

#	△ REF No.	PART No.	PART NAME, DESCRIPTION
	R7602	NRSA63J-153X	MG RESISTOR 15kΩ,1/16W
	R7603	NRSA63J-683X	MG RESISTOR 68kΩ,1/16W
	R7608	NRSA63J-153X	MG RESISTOR 15kΩ,1/16W
	R7609	NRVA63D-223X	CMF RESISTOR 22kΩ,1/16W
	R7610	NRVA63D-433X	CMF RESISTOR 43kΩ,1/16W
	R7611	NRVA63D-821X	CMF RESISTOR 820Ω,1/16W
	R7612	NRVA63D-223X	CMF RESISTOR,A,B 22kΩ,1/16W
		NRVA63D-682X	CMF RESISTOR,C 6.8kΩ,1/16W
	R7613	NRVA63D-223X	CMF RESISTOR 22kΩ,1/16W
	R7614	NRVA63D-223X	CMF RESISTOR 22kΩ,1/16W
	R7615	NRSA63J-223X	MG RESISTOR 22kΩ,1/16W
	R7616	NRSA63J-223X	MG RESISTOR 22kΩ,1/16W
	R7617	NRSA02J-561X	MG RESISTOR 560Ω,1/10W
	R7618	NRSA02J-561X	MG RESISTOR 560Ω,1/10W
	R7621	NRSA63J-0R0X	MG RESISTOR,A,B 0Ω,1/16W
	R7622	NRSA63J-223X	MG RESISTOR,C 22kΩ,1/16W
	R7623	NRSA63J-223X	MG RESISTOR,C 22kΩ,1/16W
	R7624	NRVA63D-223X	CMF RESISTOR,C 22kΩ,1/16W
	R7625	NRVA63D-223X	CMF RESISTOR,C 22kΩ,1/16W
	R7626	NRVA63D-183X	CMF RESISTOR,C 18kΩ,1/16W
	R7627	NRVA63D-334X	CMF RESISTOR,C 330kΩ,1/16W
	R7628	NRSA63J-224X	MG RESISTOR,C 220kΩ,1/16W
	R7629	NRSA63J-393X	MG RESISTOR,C 39kΩ,1/16W
	R7630	NRSA63J-223X	MG RESISTOR 22kΩ,1/16W
	R7631	NRSA63J-335X	MG RESISTOR 3.3MΩ,1/16W
	R7633	NRSA63J-103X	MG RESISTOR 10kΩ,1/16W
	R7634	NRSA63J-0R0X	MG RESISTOR 0Ω,1/16W
	R7640	NRSA63J-0R0X	MG RESISTOR,C 0Ω,1/16W
	R7641	NRSA63J-0R0X	MG RESISTOR,C 0Ω,1/16W
	R7642	NRSA63J-0R0X	MG RESISTOR,C 0Ω,1/16W
	R7643	NRSA63J-0R0X	MG RESISTOR,C 0Ω,1/16W
	R7644	NRSA63J-0R0X	MG RESISTOR,C 0Ω,1/16W
	R7645	NRSA63J-0R0X	MG RESISTOR,C 0Ω,1/16W
	R7646	NRSA63J-0R0X	MG RESISTOR,C 0Ω,1/16W
	C1	NCB31EK-103X	CAPACITOR 0.01μF,25V
	C7101	NCF31CZ-104X	CAPACITOR 0.1μF,16V
	C7102	NCB31HK-103X	CAPACITOR 0.01μF,50V
	C7103	NBE20JM-475X	T CAPACITOR,A,B 4.7μF,6.3V
	C7601	NCB21CK-105X	CAPACITOR 1μF,16V
	C7602	NCB31EK-103X	CAPACITOR 0.01μF,25V
	C7603	NCB11CK-225X	CAPACITOR 2.2μF,16V
	C7604	NCB11CK-225X	CAPACITOR 2.2μF,16V
	C7605	NCB11CK-225X	CAPACITOR 2.2μF,16V
	C7606	NCB31CK-104X	CAPACITOR 0.1μF,16V
	C7607	NBP41CM-106X	T CAPACITOR 10μF,16V
	C7608	NCB31EK-103X	CAPACITOR 0.01μF,25V
	C7609	NCB31CK-104X	CAPACITOR 0.1μF,16V
	C7610	NCB11CK-225X	CAPACITOR 2.2μF,16V
	C7611	NCB11CK-225X	CAPACITOR 2.2μF,16V
	C7612	NCB11CK-225X	CAPACITOR 2.2μF,16V
	C7613	NCB11CK-225X	CAPACITOR 2.2μF,16V
	C7614	NCB31HK-152X	CAPACITOR 0.0015μF,50V
	C7615	NCB31EK-103X	CAPACITOR 0.01μF,25V
	C7616	NCB31EK-103X	CAPACITOR 0.01μF,25V
	C7617	NCB31EK-103X	CAPACITOR 0.01μF,25V
	C7618	NCB10JK-106X	CAPACITOR 10μF,6.3V
	C7619	NCB10JK-106X	CAPACITOR 10μF,6.3V
	C7620	NCB31EK-103X	CAPACITOR 0.01μF,25V
	C7621	NCB21CK-105X	CAPACITOR 1μF,16V
	C7622	NCB21CK-105X	CAPACITOR 1μF,16V
	C7623	NBE21AM-106X	T CAPACITOR 10μF,10V
	C7624	NCB31EK-103X	CAPACITOR 0.01μF,25V
	C7626	NCB31CK-104X	CAPACITOR 0.1μF,16V

\*\*\*\*\*

**MONITOR BOARD ASSEMBLY <02>**

PW1	YB10324B1-03	MONITOR BOARD ASSY,C	
	YB10324E1-03	MONITOR BOARD ASSY,B	
	YB10324F1-03	MONITOR BOARD ASSY,A	
IC7101	MM1385EN	IC	
IC7601	AN2540FHQ	IC	
IC7602	BA15532F	IC	
IC7603	X25057M8-2.7-X	IC	
IC7604	SN74LV08APW	IC	
Q7101	2SA1774/QR/-X	TRANSISTOR,A,B	
Q7601	2SC4617/QR/-X	TRANSISTOR	
Q7602	2SA1774/QR/-X	TRANSISTOR	
Q7603	2SC4617/QR/-X	TRANSISTOR	
Q7604	2SA1774/QR/-X	TRANSISTOR	
Q7605	DTA144EE	TRANSISTOR,C	
	or RN2104	TRANSISTOR,C	
	or UN9113J	TRANSISTOR,C	
Q7606	DTC144EE	TRANSISTOR,C	
	or RN1104	TRANSISTOR,C	
	or UN9213J	TRANSISTOR,C	
Q7607	UMZ1N	PAIR TRANSISTOR,C	
Q7608	DTC144EE	TRANSISTOR	
	or RN1104	TRANSISTOR	
	or UN9213J	TRANSISTOR	
Q7609	DTC144EE	TRANSISTOR	
	or RN1104	TRANSISTOR	
	or UN9213J	TRANSISTOR	
Q7610	DTA144EE	TRANSISTOR	
	or RN2104	TRANSISTOR	
	or UN9113J	TRANSISTOR	
D1	SML-110LT-X	LE DIODE,TALLY	
D7601	RB471E	SB DIODE	
R1	NRSA63J-103X	MG RESISTOR	10kΩ,1/16W
R2	NRSA63J-103X	MG RESISTOR,B,C	10kΩ,1/16W
R3	NRSA63J-103X	MG RESISTOR	10kΩ,1/16W
R4	NRSA63J-152X	MG RESISTOR	1.5kΩ,1/16W
R5	NRSA63J-182X	MG RESISTOR	1.8kΩ,1/16W
R6	NRSA63J-272X	MG RESISTOR	2.7kΩ,1/16W
R7101	NRSA63J-562X	MG RESISTOR,A,B	5.6kΩ,1/16W
R7102	NRSA63J-562X	MG RESISTOR,A,B	5.6kΩ,1/16W
R7104	NRSA63J-0R0X	MG RESISTOR	0Ω,1/16W
R7103	NRSA63J-103X	MG RESISTOR,A,B	10kΩ,1/16W
R7110	NRSA63J-0R0X	MG RESISTOR,A,B	0Ω,1/16W
R7111	NRSA63J-0R0X	MG RESISTOR,A,B	0Ω,1/16W
R7112	NRSA63J-0R0X	MG RESISTOR,A,B	0Ω,1/16W
R7113	NRSA63J-0R0X	MG RESISTOR,A,B	0Ω,1/16W
R7114	NRSA63J-0R0X	MG RESISTOR,A,B	0Ω,1/16W
R7115	NRSA63J-0R0X	MG RESISTOR,A,B	0Ω,1/16W
R7601	NRVA63D-622X	CMF RESISTOR	6.2kΩ,1/16W

#	△ REF No.	PART No.	PART NAME, DESCRIPTION	
C7627		NCF31CZ-104X	CAPACITOR	0.1μF,16V
C7628		NBP41EM-475X	T CAPACITOR	4.7μF,25V
C7629		NBP21CM-335X	T CAPACITOR	3.3μF,16V
C7630		NBP41EM-475X	T CAPACITOR	4.7μF,25V
C7631		NCB31EK-103X	CAPACITOR	0.01μF,25V
C7632		NBP41EM-475X	T CAPACITOR	4.7μF,25V
C7633		NCB31EK-103X	CAPACITOR	0.01μF,25V
C7634		NCB10JK-106X	CAPACITOR	10μF,6.3V
C7635		NCB31EK-103X	CAPACITOR	0.01μF,25V
C7636		NCF31CZ-104X	CAPACITOR,C	0.1μF,16V
C7637		NCB31EK-103X	CAPACITOR	0.01μF,25V
C7638		NCB21AK-225X	CAPACITOR,C	2.2μF,10V
C7639		NBE21AM-106X	T CAPACITOR,C	10μF,10V
C7640		NCB31EK-103X	CAPACITOR	0.01μF,25V
C7642		NCF31CZ-104X	CAPACITOR	0.1μF,16V
L7601		NQL315K-100X	COIL	10μH
L7602		NQL315K-100X	COIL	10μH
L7604		NQL315K-100X	COIL	10μH
L7605		NQL315K-100X	COIL,A,B	10μH
L7606		NQL315K-100X	COIL,C	10μH
L7607		NQL315K-100X	COIL	10μH
SW1		NSW0092-001X	SLIDE SWITCH,LIGHT,B,C	
SW2		NSW0008-001X	TACT SWITCH,STOP	
SW3		NSW0008-001X	TACT SWITCH,REW	
SW4		NSW0008-001X	TACT SWITCH,FF	
SW5		NSW0008-001X	TACT SWITCH,PLAY/PAUSE	
SW7601		NSW0105-001X	DETECT SWITCH,OPEN	
CN761		QGF0508F1-40X	FPC CONNECTOR	
CN763		QGF0507F3-20X	FFC/FPC CONNECTOR	
CN764		QGF0305F1-33X	FPC CONNECTOR	
CN765		QGA1201F2-02X	CONNECTOR	
△ BT1		QAB0025-001	LI BATTERY	
OT1		LY43043-001B	SHIELD SHEET	
OT2		LY43119-001A	SHIELD SHEET,A	

\*\*\*\*\*

**LCD BL BOARD ASSEMBLY <03>**

PW2	YB10324A2-02	LCD BL BOARD ASSY,C	
	YB10324B2-02	LCD BL BOARD ASSY,A,B	
IC751	MIP805	IC,C	
Q7501	2SC3647/ST/-X	POW TRANSISTOR	
Q7502	2SC3647/ST/-X	POW TRANSISTOR	
Q7503	DTA144EE	TRANSISTOR	
	or RN2104	TRANSISTOR	
	or UN9113J	TRANSISTOR	
Q7504	2SC4617/QR/-X	TRANSISTOR	
D751	1SS376	DIODE,C	
R751	NRSA63J-104X	MG RESISTOR,C	100kΩ,1/16W
R7501	NRSA63J-102X	MG RESISTOR	1kΩ,1/16W
R7502	NRSA63J-102X	MG RESISTOR	1kΩ,1/16W
R7503	NRSA63J-102X	MG RESISTOR	1kΩ,1/16W
R7506	NRSA63J-473X	MG RESISTOR	47kΩ,1/16W
R7507	NRSA63J-473X	MG RESISTOR	47kΩ,1/16W
C751	NBE20JM-106X	T CAPACITOR,C	10μF,6.3V
C752	NBE20JM-106X	T CAPACITOR,C	10μF,6.3V
C753	NCB31HK-222X	CAPACITOR,C	0.0022μF,50V
C754	NCB31HK-222X	CAPACITOR,C	0.0022μF,50V
C7501	NCZ1016-120X	CAPACITOR	12pF,2kV

#	△ REF No.	PART No.	PART NAME, DESCRIPTION	
C7503		NFV41HJ-223X	MPPS CAPACITOR	0.022μF,50V
C7504		NCB31EK-103X	CAPACITOR	0.01μF,25V
C7505		NBE20JM-226X	T CAPACITOR	22μF,6.3V
L751		NQLZ011-681X	COIL,C	680μH
L752		NQL315K-100X	COIL,C	10μH
L7501		NQLZ010-680X	COIL	68μH
L7502		NQLZ010-220X	COIL	22μH
T7501		NQS0048-001X	SW TRANSF	
CN751		QGF0506F2-32X	FPC CONNECTOR	
CN752		QGF0505F1-24X	FPC CONNECTOR	
CN753		QGA5002F1-02X	CONNECTOR	
CN754		QGF0505F2-06X	FPC CONNECTOR,C	
△ F751		NMFZ007-R20X-K	FUSE,C	0.2A
△ F7501		NMFZ009-R375XJ1	FUSE	0.37A
OT1		LY41726-001A	PLATE(EARTH)	

\*\*\*\*\*

**CCD BOARD ASSEMBLY <04>**

PW	YB10316A-01	CCD BOARD ASSY	
Q5001	2SC3931/CD/-X	TRANSISTOR	
R5001	NRSA02J-472X	MG RESISTOR	4.7kΩ,1/10W
R5002	NRSA02J-0R0X	MG RESISTOR	0Ω,1/10W
R5003	NRSA02J-104X	MG RESISTOR	100kΩ,1/10W
R5004	NRS181J-0R0X	MG RESISTOR	0Ω,1/8W
R5006	NRSA02J-0R0X	MG RESISTOR	0Ω,1/10W
R5007	NRS181J-0R0X	MG RESISTOR	0Ω,1/8W
C5001	NCB21CK-104X	CAPACITOR	0.1μF,16V
C5002	NBP41DM-106X	T CAPACITOR	10μF,20V
C5003	NCB21CK-104X	CAPACITOR	0.1μF,16V
C5004	NBE21AM-106X	T CAPACITOR	10μF,10V
C5005	NCB11EK-104X	CAPACITOR	0.1μF,25V
C5006	NCB21CK-104X	CAPACITOR	0.1μF,16V
C5007	NCB21HK-222X	CAPACITOR	0.0022μF,50V
C5011	NCB21CK-105X	CAPACITOR	1μF,16V
L5001	NQL315K-100X	COIL	10μH

\*\*\*\*\*

**JUNCTION BOARD ASSEMBLY <05>**

PW2	YB10314A2-01	JUNCTION BOARD ASSY	
D571	SML-010MT-X	LE DIODE	
R519	NRSA63J-331X	MG RESISTOR	330Ω,1/16W
SW571	NSW0120-002X	PUSH SWITCH,EJECT SW	
CN571	QGF0508F1-34X	FPC CONNECTOR	
CN572	QGF0507F3-15X	FFC/FPC CONNECTOR	
CN573	QGF0505F2-11X	FPC CONNECTOR	
CN574	QGF0505F2-06X	FPC CONNECTOR	

# ▲ REF No. PART No. PART NAME, DESCRIPTION

# ▲ REF No. PART No. PART NAME, DESCRIPTION

\*\*\*\*\*

**JACK BOARD ASSEMBLY <06>**

PW1	YB10314A1-01	JACK BOARD ASSY	
IC501	BA10358F-XE	IC	
IC502	RS-171-X	IC(PHOTO SENSOR)	
Q501	RPM-22PB	PHOTO TRANSISTOR	
D501	MA8068	ZENER DIODE	
D502	MA8068	ZENER DIODE	
D504	MA8068	ZENER DIODE	
D505	MA8068	ZENER DIODE	
D506	EMZ6.8N	ZENER DIODE	
D507	EMZ6.8N	ZENER DIODE	
D508	EMZ6.8N	ZENER DIODE	
R501	NRSA63J-103X	MG RESISTOR	10kΩ,1/16W
R502	NRSA63J-684X	MG RESISTOR	680kΩ,1/16W
R503	NRSA63J-182X	MG RESISTOR	1.8kΩ,1/16W
R504	NRSA63J-222X	MG RESISTOR	2.2kΩ,1/16W
R505	NRSA63J-103X	MG RESISTOR	10kΩ,1/16W
R506	NRSA63J-824X	MG RESISTOR	820kΩ,1/16W
R507	NRSA63J-104X	MG RESISTOR	100kΩ,1/16W
R508	NRSA63J-683X	MG RESISTOR	68kΩ,1/16W
R509	NRSA63J-822X	MG RESISTOR	8.2kΩ,1/16W
R510	NRSA63J-0R0X	MG RESISTOR	0Ω,1/16W
R511	NRSA63J-302X	MG RESISTOR	3kΩ,1/16W
R512	NRSA63J-470X	MG RESISTOR	47Ω,1/16W
R513	NRSA63J-101X	MG RESISTOR	100Ω,1/16W
R514	NRSA63J-101X	MG RESISTOR	100Ω,1/16W
R515	NRSA63J-0R0X	MG RESISTOR	0Ω,1/16W
R516	NRSA63J-221X	MG RESISTOR	220Ω,1/16W
R517	NRSA63J-331X	MG RESISTOR	330Ω,1/16W
R518	NRSA63J-0R0X	MG RESISTOR	0Ω,1/16W
R519	NRSA63J-331X	MG RESISTOR	330Ω,1/16W
R520	NRSA63J-331X	MG RESISTOR	330Ω,1/16W
R524	NRSA63J-0R0X	MG RESISTOR	0Ω,1/16W
R525	NRSA63J-0R0X	MG RESISTOR	0Ω,1/16W
R526	NRSA63J-0R0X	MG RESISTOR	0Ω,1/16W
R527	NRSA63J-0R0X	MG RESISTOR	0Ω,1/16W
C501	NBE21AM-335X	T CAPACITOR	3.3μF,10V
C502	NCF31CZ-104X	CAPACITOR	0.1μF,16V
C503	NCB31EK-153X	CAPACITOR	0.015μF,25V
C504	NCB31EK-153X	CAPACITOR	0.015μF,25V
C506	NBE21AM-106X	T CAPACITOR	10μF,10V
C509	NBE20JM-226X	T CAPACITOR	22μF,6.3V
C514	NCB31HK-103X	CAPACITOR	0.01μF,50V
C515	NCB31HK-103X	CAPACITOR	0.01μF,50V
L501	NQR0251-004X	FERRITE BEAD	
L502	NQR0251-004X	FERRITE BEAD	
L503	NQR0251-004X	FERRITE BEAD	
TL501	YQ43810-1-1	CONTACT(LIGHT)	
TL502	YQ43810-1-1	CONTACT(LIGHT)	
HD1	LY32086-001A	HOLDER(J.PWB)	
WR1	WJJ0207-002A	E-SI C WIRE C-C,CN501-MAIN	
J501	QNS0078-001	3.5 JACK	
J502	PEMC1203	MINI JACK	
J503	QND0004-001	S JACK	
J504	QNS0152-001	2.5 JACK	
CN501	QGA1002F1-09X	CONNECTOR	
CN502	QGF0507F3-14X	FFC/FPC CONNECTOR	
OT1	LY30018-023A	SPECIAL SCREW,X4	